

Parts Catalog

Armadillo 10X Series

Models: Gasoline, LP & Diesel



PREFACE

Thank you for your purchase of the now industry standard for sweepers. PowerBoss takes great pride in offering the most dependable, reliable and best value in industrial power sweepers and sweeper / scrubbers. We set the standard.

Our Publishing Department would like to hear from you. If you see any errors, omissions or something that needs clarification in this Spare Parts Catalog please let us know. We are working hard toward perfection in our corner of the process to bring you the best you can buy. Please copy the form below, fill out and comment on how you found our catalog.

Thank you.

*Name _____

*Title: _____

*Company Name: _____

*Address: _____

*Country: _____

Type of equipment or model number: _____

Comments:

*Information is optional.

Please return to:

Manager, Publishing Department, International
PowerBoss, Inc.
175 Anderson Street
Aberdeen, North Carolina 28315 USA

Phone (800) 982-7141 Toll Free

(910) 944-2105 Local

E-Mail - techsupport@powerboss.com

This is the Spare Parts Catalog for the PowerBoss Armadillo SW/10X Sweeper. This catalog covers all Standard Armadillo 10X machine variations beginning May 2009. We believe this machine will provide excellent service for many years.

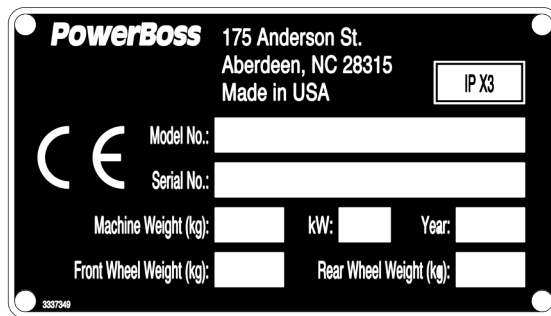
However, the best results will be obtained if:

- The machine is operated with reasonable care.
- The machine is maintained regularly per the maintenance schedule provided in the User Manual.
- The machine is maintained with PowerBoss Inc. supplied or equivalent parts.

All right side and left side references to the machine (except for engine) are determined by facing the direction of forward travel. The front of the engine or engine fan faces the rear of the machine. Some hardware considered to be common or locally available has been omitted from the parts section to make this manual clear. Be sure to use equivalent hardware when replacement becomes necessary.

The Model and Serial Number of your machine is shown on the I.D. name plate. This information is needed when contacting Technical Support or when ordering parts. The I.D. plate is mounted on the console of the machine left of the operator. Adjacent the main broom adjustment access door.

Example I.D Plate;



Parts may be ordered by phone, fax or e-mail from any PowerBoss parts and service center. Before ordering parts or supplies, be sure to have your machine model number and serial number handy. For your convenience Fill out the data block below for future reference.

<p>MACHINE DATA Fill out at installation</p>	
Serial Number:	_____
Engine Serial Number:	_____
Sales Rep.:	_____
Date of Install:	_____

All information contained in this catalog is current at the time of printing However, PowerBoss reserves the right to make changes at any time without notice.

©2011, PowerBoss, Inc., Printed in USA

TECHNICAL SPECIFICATIONS

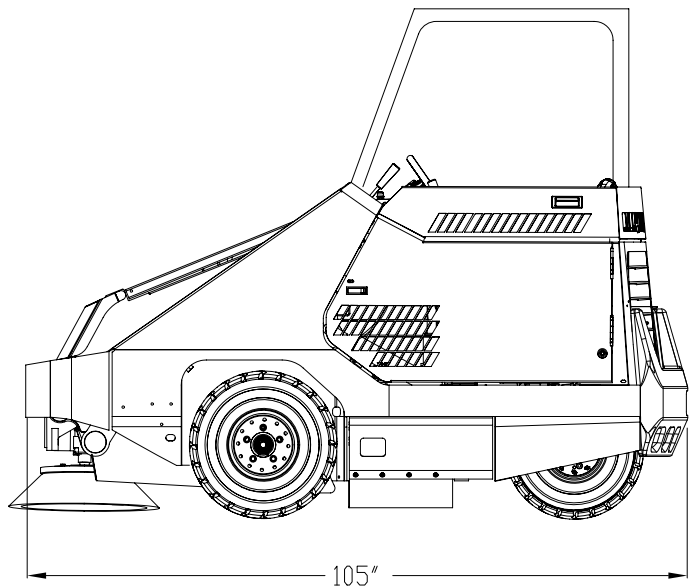
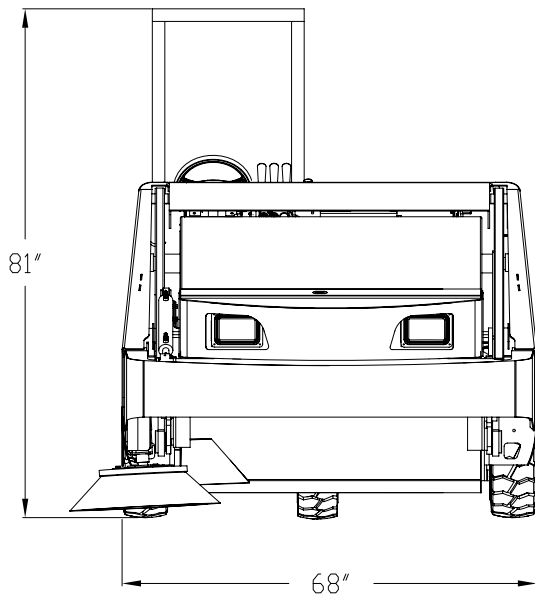
Model Armadillo 10X
 Model No.
 Tier III Models 10XT3DSL / 10XT3LP / 10XT3GAS
 Other Models 3350500 / 10XLP / 3350400

DIMENSIONS & WEIGHT

Length105 inch (266.7 cm)
 width68 inch (172.7 cm)
 height55.38 inch (
 w/ overhead guard81 inch (205.7 cm)
 w/ cab81 inch (205.7 cm)
 weight4,575 lbs. (2,075 kg)
 minimum u-turn115 inch (292 cm)

SWEEPING SYSTEM

productivity217,800 ft²/hr (20,234 m²/hr)
 sweep path74 inch (187.9 cm)
 main broom56 inch (142 cm)
 side broom26 inch (66 cm)
 Left side broom optional . . .86 inch (218.4 cm)
 hopper typeRTR high dump
 hopper volume30 cu ft
 hopper load capacity2,000 lbs (907 kg)
 dust control180 ft² (16.7 m²)
 high dump64 inch (162.6 cm)
 RTR
 (rotary trash relocation) . . .yes





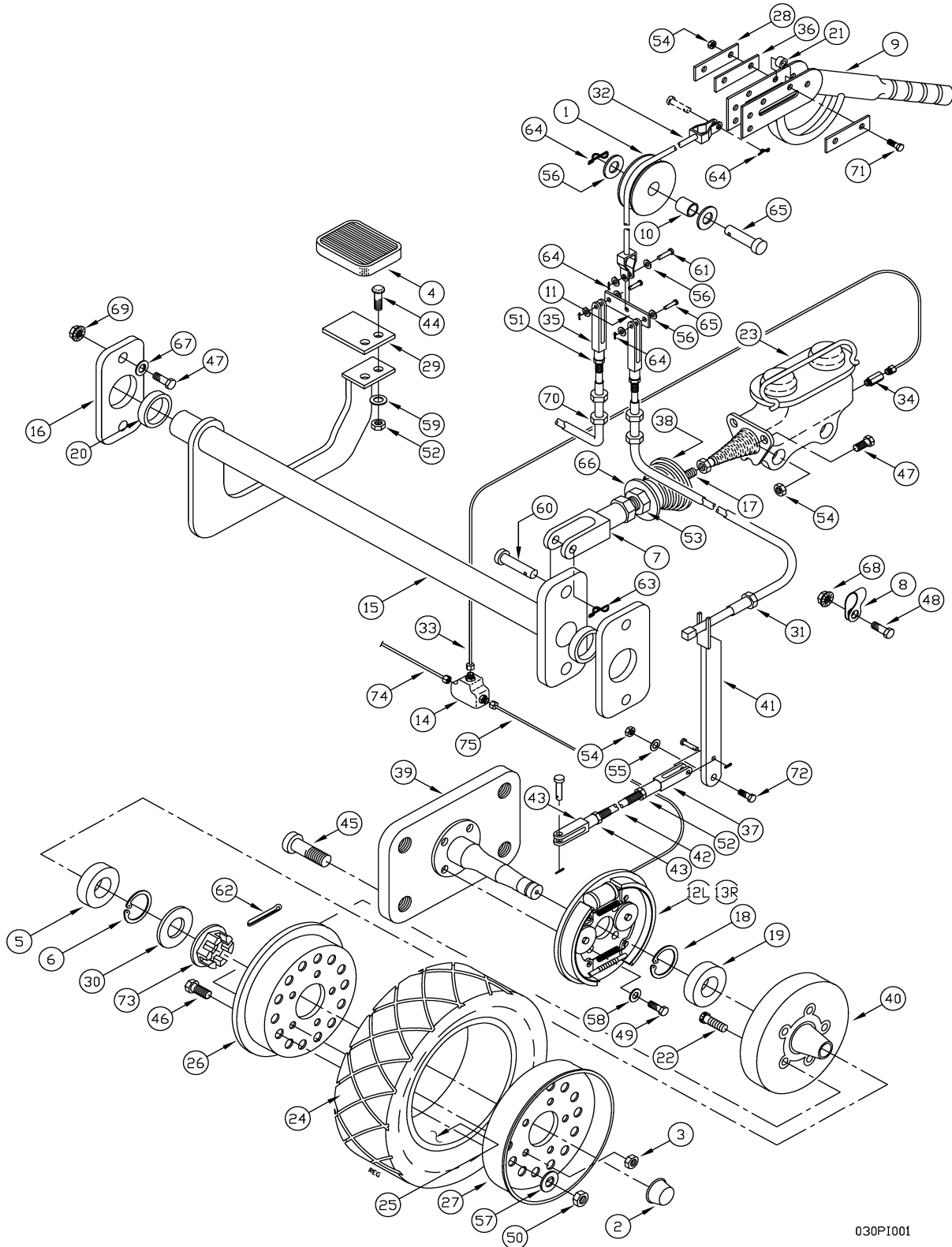
POWERBOSS[®]

ARMADILLO[®] PARTS SECTION FOR: 10XV DELUXE

TABLE OF CONTENTS

Axles, Brakes, and Wheels	2
Body (Sheet Metal) Group - Console	6
Body (Sheet Metal) Group - Engine Cover	10
Engine (Diesel)	12
Frame	20
Hopper/Tank	28
Hydraulic Group - Hydraulic Reservoir	34
Hydraulic Group - Control Valve	38
Impeller Group	40
Impeller Group - Gasket Mount	44
Lift Arm Group	46
Main Broom Group	52
Miscellaneous Group - Gas Tank	56
Miscellaneous Group - Decals	58
Miscellaneous Group - Lights	62
PowerSwing [™] Group	64
Radiator Guard Group	66
Rear Cover/Seat Group	70
Side Broom Group	72
Steering Group	78

AXLE, BRAKES, & WHEEL GROUP

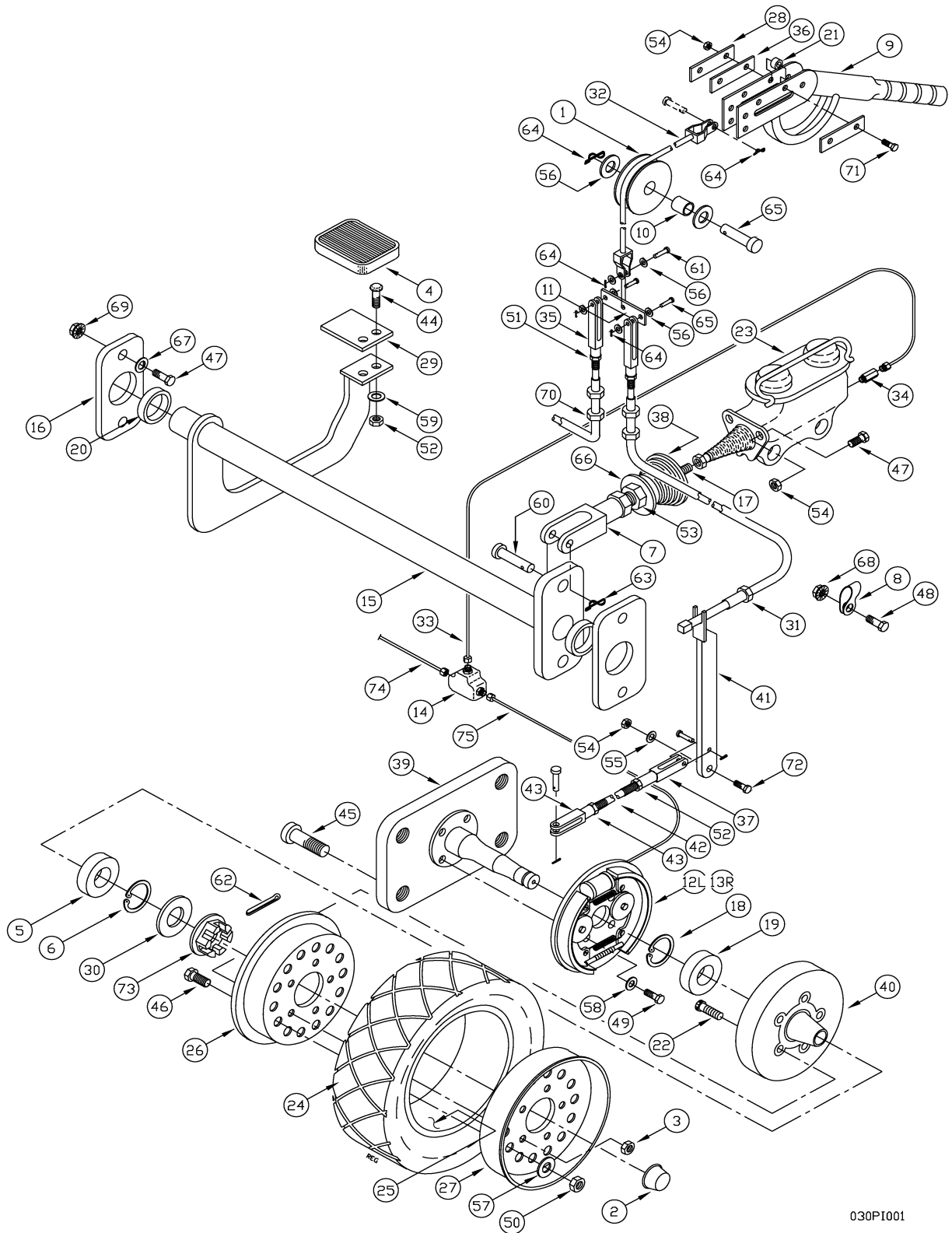


030P1001

AXLE, BRAKES, & WHEEL GROUP

REF#	PART #	DESCRIPTION	QUANTITY
1	300367	PULLEY - BRAKE	1
2	300369	CAP - HUB	2
3	300411	NUT - WHEEL LUG	10
4	300413	PAD - BRAKE PEDAL	1
5	300467	BEARING - BALL 2.44 X 1.18 ID	2
6	300473	RING - RET INT 2.44	2
7	301447	CLEVIS - CABLECRAFT AC-218	1
8	302543	CLAMP - SADDLE TYPE 5/16" DIA	2
9	303169	LEVER - HAND BRAKE	1
10	303552	SLEEVE - HAND BRAKE PLTD	1
11	307232	BAR - BRAKE EQUALIZER PLTD SW/A	1
12	304542	ASSY - HYD BRAKE RH	1
13	304543	ASSY - HYD BRAKE LH	1
14	306307	FTG - TEE HYD BRAKE	1
15	307224	ASSY - BRAKE TORQUE ARM PLTD	1
16	307233	MNT - BEARING BRAKE PLTD SW/A	2
17	307235	ROD - BRAKE MASTER CYLINDER PLTD	1
18	307237	RING - RET INT INNER WHEEL SW/A	2
19	307238	BEARING - INNER WHEEL SW/A	2
20	307239	BEARING - BRAKE ARM SW/A	2
21	307241	SPACER - HAND BRAKE PLTD SW/A	2
22	307242	STUD - FRONT HUB SW/A	10
23	307251	ASSY - MASTER CYLINDER SW/A	1
24	307252	TIRE - PNEUMATIC 650 X 10	2
25	307253	TUBE - TIRE 650 X 10	2
26	307254	RIM - FRONT INNER SW/A PLTD	2
27	307255	RIM - FRONT OUTER SW/A PLTD	2
28	307273	BAR - HAND BRK SPACER PLTD SW/A	1
29	307274	PAD - BRAKE SW/A PNTD	1
30	307352	WASHER - FRONT HUB SW/A PLTD	2
31	307353	CABLE - BRAKE RH SW/A	2
32	307632	CABLE - BRAKE CENTER SW/A	1
33	307637	ASSY - BRAKE LINE CENTER SW/A	1
34	307638	FTG - REDUCER	1
35	307642	CLEVIS - 5/16 PLTD SW/A	2
36	307895	SPACER - THIN HAND BRAKE PLTD	2
37	311321	CLEVIS & COTTER PIN - BRAKE ROD	2
38	313109	SPRING - PEDAL RETURN	1

AXLE, BRAKES, & WHEEL GROUP

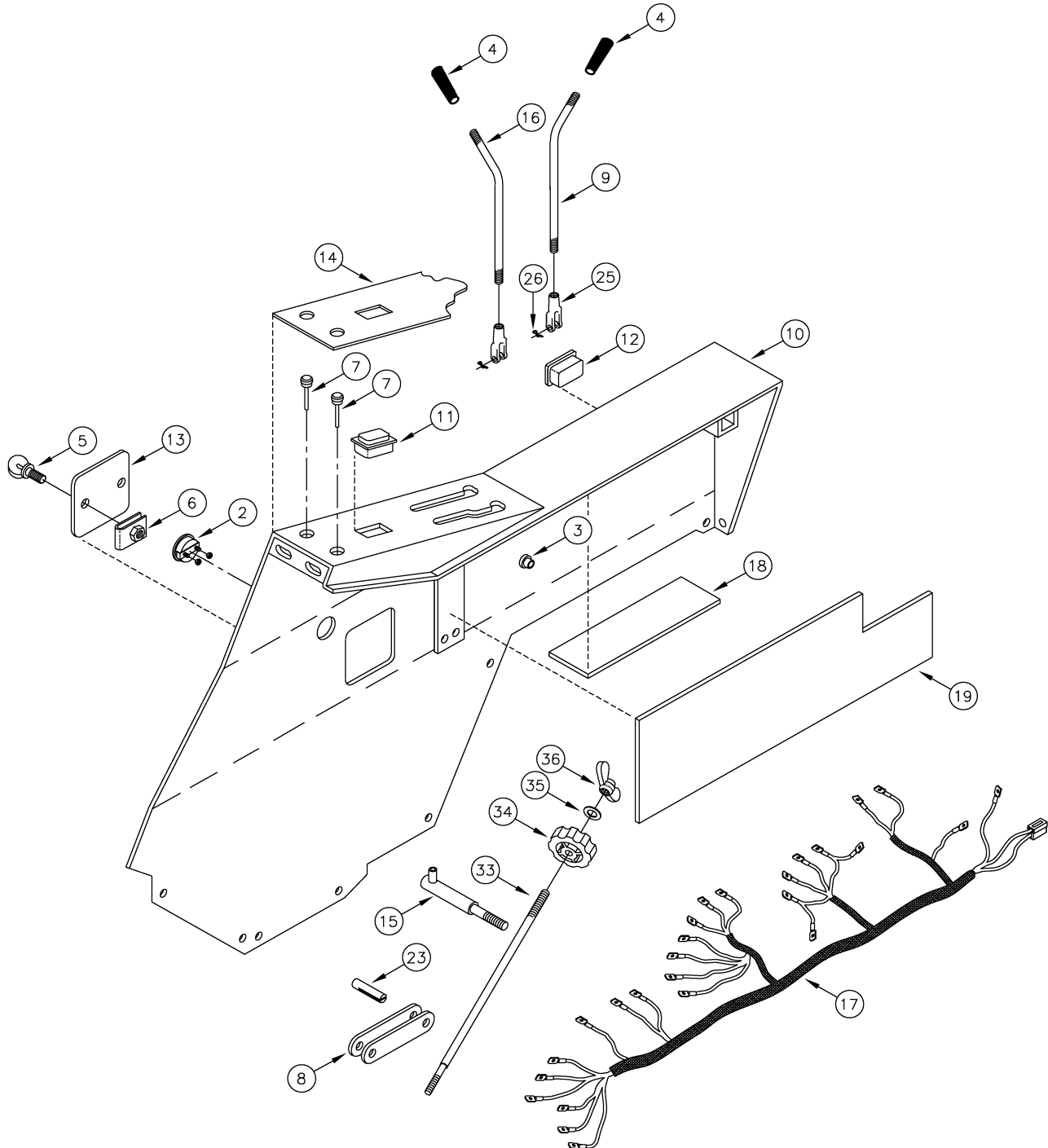


030P1001

AXLE, BRAKES, & WHEEL GROUP

REF#	PART #	DESCRIPTION	QUANTITY
39	318285	WELDMENT - FRONT AXLE SW 8X/9X	2
40	318288	HUB - 7" ID HYDRAULIC BRAKES	2
41	321324	ASSY - LEVER PARKING BRAKE	2
42	321331	ROD - PARKING BRAKE	2
43	321341	CLEVIS - BRAKE ROD (MODIFIED)	2
44	400010	SCREW - CAR, 1/4 - 20 X .75 ZP	2
45	400011	SCREW - FLT 5/8 - 11 X 1.00 SOC ZP	8
46	400306	SCREW - HEX 1/2 - 20 X 1.0 ZP	20
47	400029	SCREW - HEX 3/8 - 16 X 1.25 ZP	7
48	400036	SCREW - HEX 5/16 - 18 X .75 ZP	2
49	400047	SCREW - SOC 5/16 - 18 X .75 ZP	8
50	400064	NUT - HEX 1/2 - 20 ZP	20
51	400069	NUT - HEX 5/16 - 24 ZP	2
52	400071	NUT - HEX 1/4 - 20 ZP	6
53	400075	NUT - HEX JAM 3/8 - 24 ZP	2
54	400079	NUT - HEX 3/8 - 16 ES ZP	7
55	400087	WASHER - FLAT 3/8 STANDARD ZP	2
56	400088	WASHER - FLAT 5/16 STANDARD ZP	9
57	400098	WASHER - LOCK 1/2 SPLIT ZP	20
58	400102	WASHER - LOCK 5/16 SPLIT ZP	8
59	400103	WASHER - LOCK 1/4 SPLIT ZP	2
60	400117	PIN - CLEVIS 3/8 X 1 - 1/8 ZP	1
61	400118	PIN - CLEVIS 5/16 X 7/8 ZP	1
62	400120	PIN - COTTER 5/32 X 2.00 ZP	2
63	400124	PIN - COTTER 5/8 RUE-RING	1
64	400125	PIN - COTTER 3/8 RUE-RING	5
65	400185	PIN - CLEVIS 5/16 X 1 - 1/4 ZP	3
66	400278	WASHER - FENDER 3/8	3
67	400385	WASHER - CONICAL SPRING 3/8	4
68	400390	NUT - FLANGE LOCK 5/16 - 18	2
69	400392	NUT - FLANGE LOCK 3/8 - 16	4
70	400432	NUT - HEX 9/16 - 12 ZP	4
71	400473	SCREW - HEX 3/8 - 16 X 3.00 ZP FULL THREAD	2
72	400659	SCREW - HSS 1/2 DIA X .75	2
73	400076	NUT - HEX JAM SLOTTED 1 - 14 ZP	2
74	318295	BRAKE LINE - RH SW/A	1
75	318296	BRAKE LINE - LH SW/A (9X ONLY)	1
75	318297	BRAKE LINE - LH SW/A (8X ONLY)	1
75	350274	BRAKE LINE - LH SW/A (10X ONLY)	1

BODY (SHEET METAL) GROUP - CONSOLE

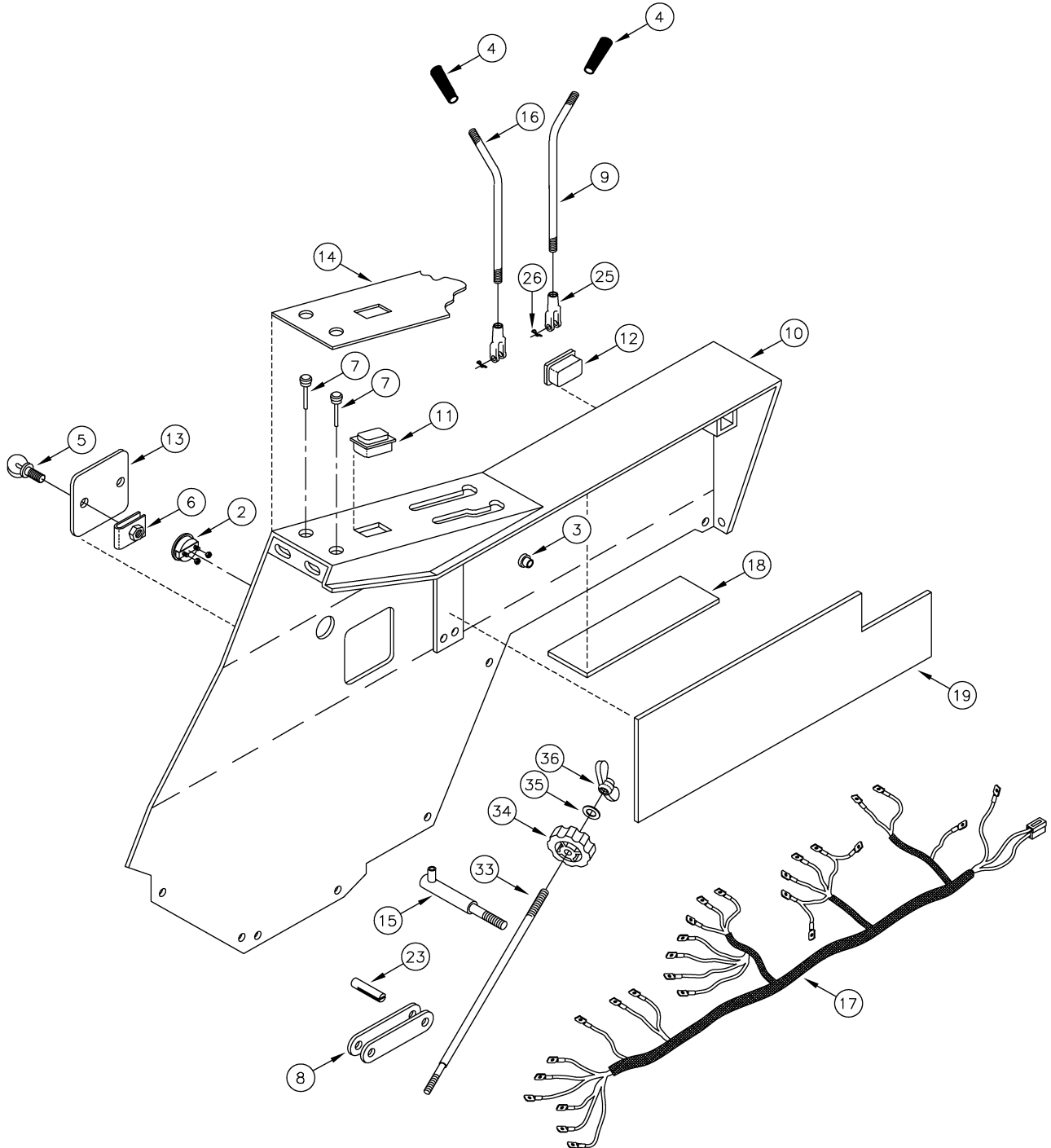


012PI001

BODY (SHEET METAL) GROUP - CONSOLE

REF#	PART #	DESCRIPTION	QUANTITY
	307080	ASSY - CONSOLE SUB ARMA	1
Above sub-assembly contains the following items. (1 THRU 26)			
	300376	STUD - BALL GAS SPRING	2
2	300385	GAGE - HR METER W/HEX NUT 10-24	1
3	300414	BUSHING - PLASTIC MAIN BROOM	4
4	300558	KNOB - TAPERED #145 BLACK	2
5	301147	SCREW - CAPTIVE WING HEAD	2
6	301155	CLIPNUT - 5/16-18 ZP	2
7	301553	LIGHT - TRASH RELOCATOR	2
8	307209	ASSY - PIVOT MAIN BRM LIFT PNTD	1
9	307211	ASSY - MAIN BRM LEVER SW/A PLTD	1
10	307401	ASSY - DRIVE SIDE CONSOLE PNTD	1
11	307552	SWITCH - ROCK LIGHTS ARMA	1
12	307553	SWITCH - ROCKER ENG SWING ARMA	1
13	307554	COVER - BROOM ADJ. SW/A PNTD	1
14	307591	DECAL - SIDE PANEL SW/A	1
15	307614	ASSY - PIVOT SB LIFT PNTD	1
16	307615	ASSY - LEVER CURB BROOM PLTD	1
17	307750	WIRING HARNESS - SECONDARY SW/A	1
18	307846	INSULATION - DRIVER COMP TOP	1
19	307847	INSULATION - DRIVE COMP SIDE	1
	400070	NUT - HEX 5/16-18 ZP	2
	400087	WASHER - FLAT 3/8 STANDARD ZP	4
	400102	WASHER - LOCK 5/16 SPLIT ZP	2
23	400113	PIN - CLEVIS 3/8 X 5-1/2 ZP	2
	400117	PIN - CLEVIS 3/8 X 1-1/8 ZP	1
25	400125	PIN - COTTER 3/8 RUE-RING	4
26	400185	PIN - CLEVIS 5/16 X 1-1/4 ZP	1
	400035	SCR - HHM 5/16-18 X 1.00 LG ZP	2
	400036	SCR - HHM 5/16-18 X .75 LG ZP	4
	400384	WASHER - CONICAL SPRING 5/16	6
	400390	NUT - FLANGE LOCK 5/16-18	6
	302776	MOUNT - WIRE TIE LARGE	1
	301358	TIE - WIRE	1
33	307213	ROD - LIFT MAIN BRM PLTD	1
	400075	NUT - HEX JAM 3/8-24 ZP	1
34	300352	KNOB - MB LIFT ADJ	1
35	400091	WASHER - FENDER 1/2 ZP	1
36	400084	NUT - WING 1/2-13 ZP	1
	400118	PIN - CLEVIS 5/16 X 7/8 ZP	1
	400088	WASHER - FLAT 5/16 STANDARD ZP	1
	400125	PIN - COTTER 3/8 RUE-RING	1
	307609	CABLE - CHOKE SW/A	1
	400075	NUT - HEX JAM 3/8-24 ZP	1

BODY (SHEET METAL) GROUP - CONSOLE (CONT.)

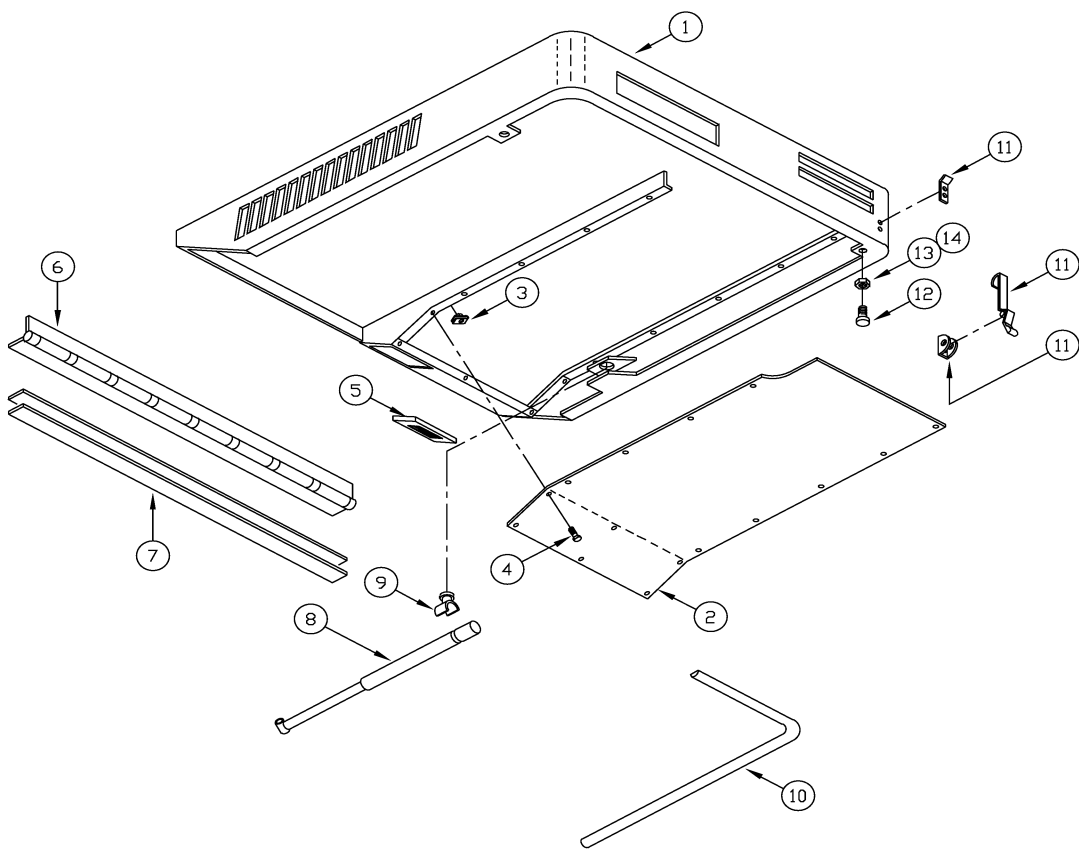


012PT001

BODY (SHEET METAL) GROUP - CONSOLE (CONT.)

REF#	PART #	DESCRIPTION	QUANTITY
	307697	CLAMP - CONDUIT	1
	400045	SCR - PHM #8-32 X .62 LG ZP	1
	400096	WASHER - FLAT #8 ZP	1
	301358	TIE - WIRE	1
	400082	NUT - HEX #8-32 ES ZP	1
	301459	BALL JOINT - #10-32 ZP	1
	400103	WASHER - LOCK 1/4 SPLIT ZP	1
	307691	CLAMP - THROTTLE SW/A	1
	400180	NUT - HEX 1/4-28 ZP	1
	301358	TIE - WIRE	1
	307608	CABLE-THROTTLE GAS SW/A	1
	307948	CABLE-THROTTLE KUBOTA DIESEL	1

BODY (SHEET METAL) GROUP - ENGINE COVER

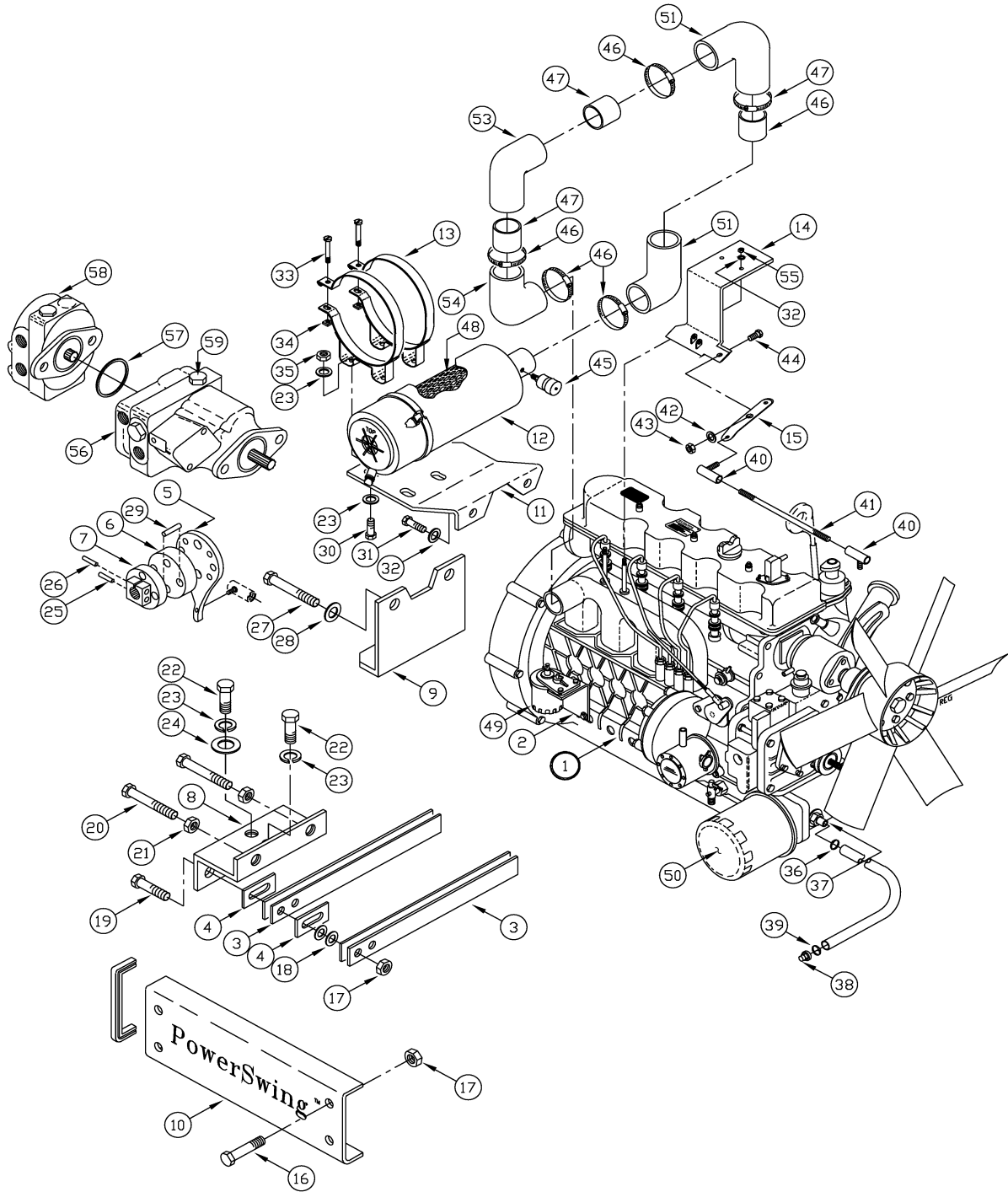


012P1002

BODY (SHEET METAL) GROUP - ENGINE COVER

REF#	PART #	DESCRIPTION	QUANTITY
1	350151	ASSY - ENGINE COVER KBA DSL PNTD SW/10X	1
2	350271	COVER - DUCT ENG. CVR. SW/10X	1
3	301146	CLIPNUT - 1/4 - 20 ZP	14
4	400059	SCR - THM 1/4 - 20 X .75 S.S.	14
5	307776	GASKET - IMPELLER SW/A	1
6	350189	HINGE - ENGINE COVER SW/A PNTD	2
7	350207	SPACER - HINGE ENGINE COVER PNTD.	2
	400035	SCR - HHM 5/16 - 18 X 1.00 LG ZP	5
	400384	WASHER - CONICAL SPRING 5/16	5
	400390	NUT - FLANGE LOCK 5/16 - 18	5
8	307589	GAS SPRING - ENG COVER SW/A	2
9	300376	STUD - BALL GAS SPRING	2
10	500198	SEAL - TRIM	5.67 FT
11	307719	LATCH - SOFT #C7-10	1
	400441	RIVET - POP 1/8 X 1/4 ALUM.	4
12	307639	LEVELER - 5/16 - 18 SW/A	1
13	400070	NUT - HEX 5/16 - 18 ZP	2
14	400102	WASHER - LOCK 5/16 SPLIT ZP	1

ENGINE (DIESEL) GROUP

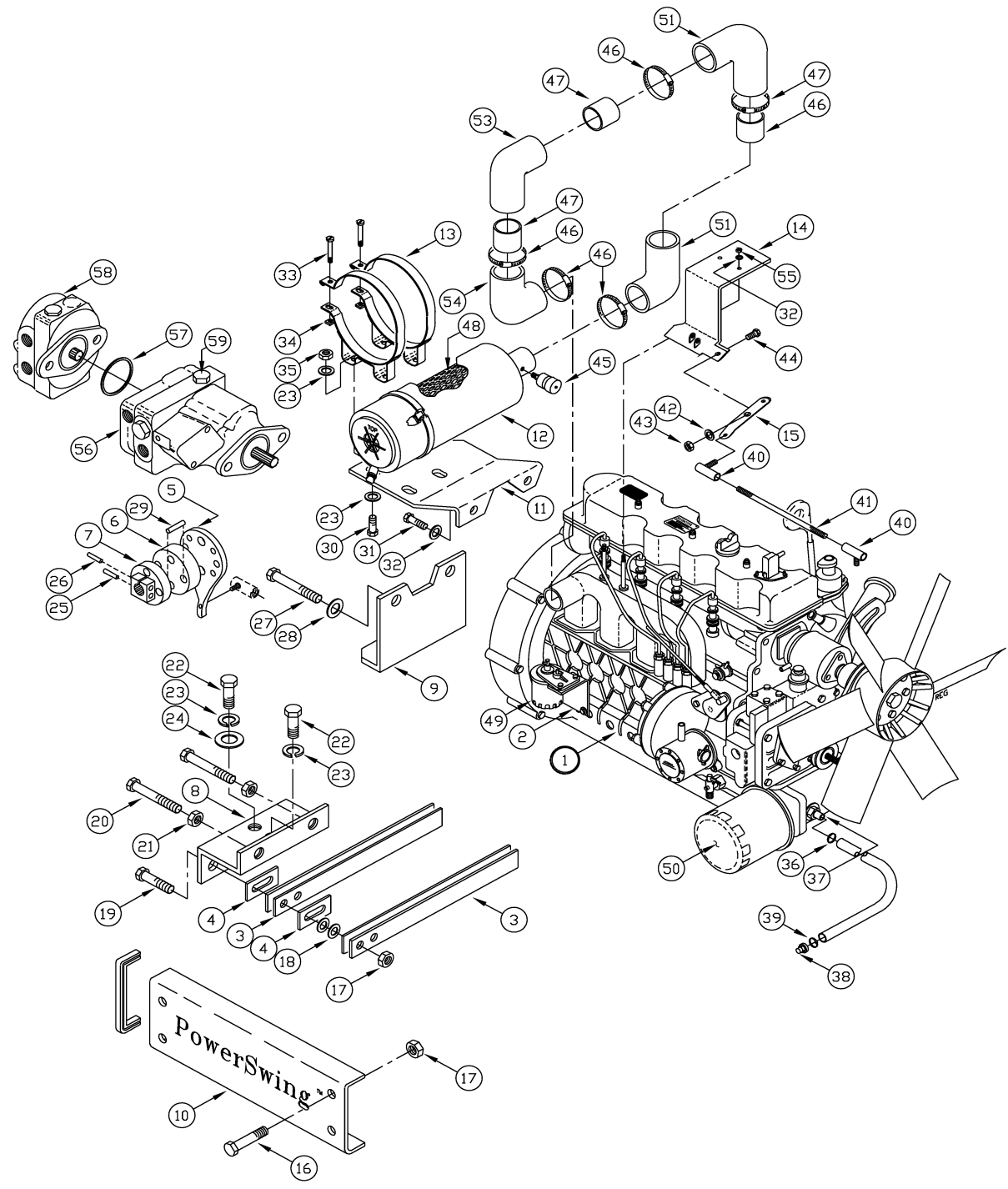


010P1004

ENGINE (DIESEL) GROUP

REF#	PART #	DESCRIPTION	QUANTITY
	350255	ASSY - PWRTRAIN SUB KBA ARMA DSL	1
1	321178	ENGINE - KUBOTA DEL 10X	1
2	307955	MNT - FUEL FILTER KBA DSL PNTD	1
3	300543	SPRING RETURN	4
4	303918	SPACER - FWD/REV BRCKT. PLTD	2
5	307219	PLT - DIRECTIONAL CONT. PLTD SW/A	1
6	301507	COUPLING - LORD DIR CNTRL	1
7	301544	WELDMENT - DISC FWD/REV PLTD	1
8	302115	BRKT - FWD/REV PLTD	1
9	312231	MNT - FWD/REV DSL SW/62 PLTD	1
10	307414	COVER - ENG HOSE RET SW/A PNTD	1
11	315500	MNT - AIR CLEANER HAYES	1
12	313031	AIR CLEANER	1
13	300459	BAND - MTG - AIR CLEANER PNTD BLACK	2
14	315302	ASSY - THROTTLE MNT DSL SW/9X	1
15	307950	ASSY - BELLCRANK KBA DSL PNTD	1
16	400433	SCR - HEX 1/4 - 20 X 2.50 ZP	4
17	400081	NUT - HEX 1/4 - 20 ES ZP	4
18	400089	WASHER - FLAT 1/4 STANDARD ZP	10
19	400149	SCR - HEX 1/4 - 20 X 1.50 ZP	2
20	400228	SCR - HEX 5/16 - 24 X 1.5 ZP FULL TH	4
21	400069	NUT - HEX 5/16 - 24 ZP	4
22	400036	SCR - HEX 5/16 - 18 X 0.75 ZP	4
23	400102	WASHER - LOCK 5/16 SPLIT ZP	12
24	400088	WASHER - FLAT 5/16 STANDARD ZP	6
25	400173	SCR - HEX 1/4 - 20 X 1.75 ZP	1
26	400027	SCR - HEX 3/8 - 16 X 1.75 ZP	1
27	400028	SCR - HEX 3/8 - 16 X 1.50 ZP	1
28	400101	WASHER - LOCK 3/8 SPLIT	13
29	300339	SLEEVE - SQ & FWD/REV	2
30	400035	SCR - HEX 5/16 - 18 X 1.00 ZP	9
31	400611	SCR - HHM 10MM X 40MM LG ZP	2
32	400099	WASHER - LOCK 7/16 SPLIT ZP	4
33	400252	SCR - HEX 1/4 - 20 X 3.0 ZP	2
34	400071	NUT - HEX 1/4 - 20 ZP	2
35	400070	NUT - HEX 5/16 - 18 ZP	4
36	305252	WASHER - KUBOTA OIL DRAIN FT2	1
37	305251	FTG - OIL PAN DRAIN KUBOTA	1
38	307830	FTG - CAP 3/8 FPT	1
39	307829	FTG - HOSE BARB 1/2 X 3/8 MPT	1
40	301199	BALL JOINT 1/4 - 28	2
41	307694	ROD - THROTTLE TYA SW/A PLTD	1

ENGINE (DIESEL) GROUP

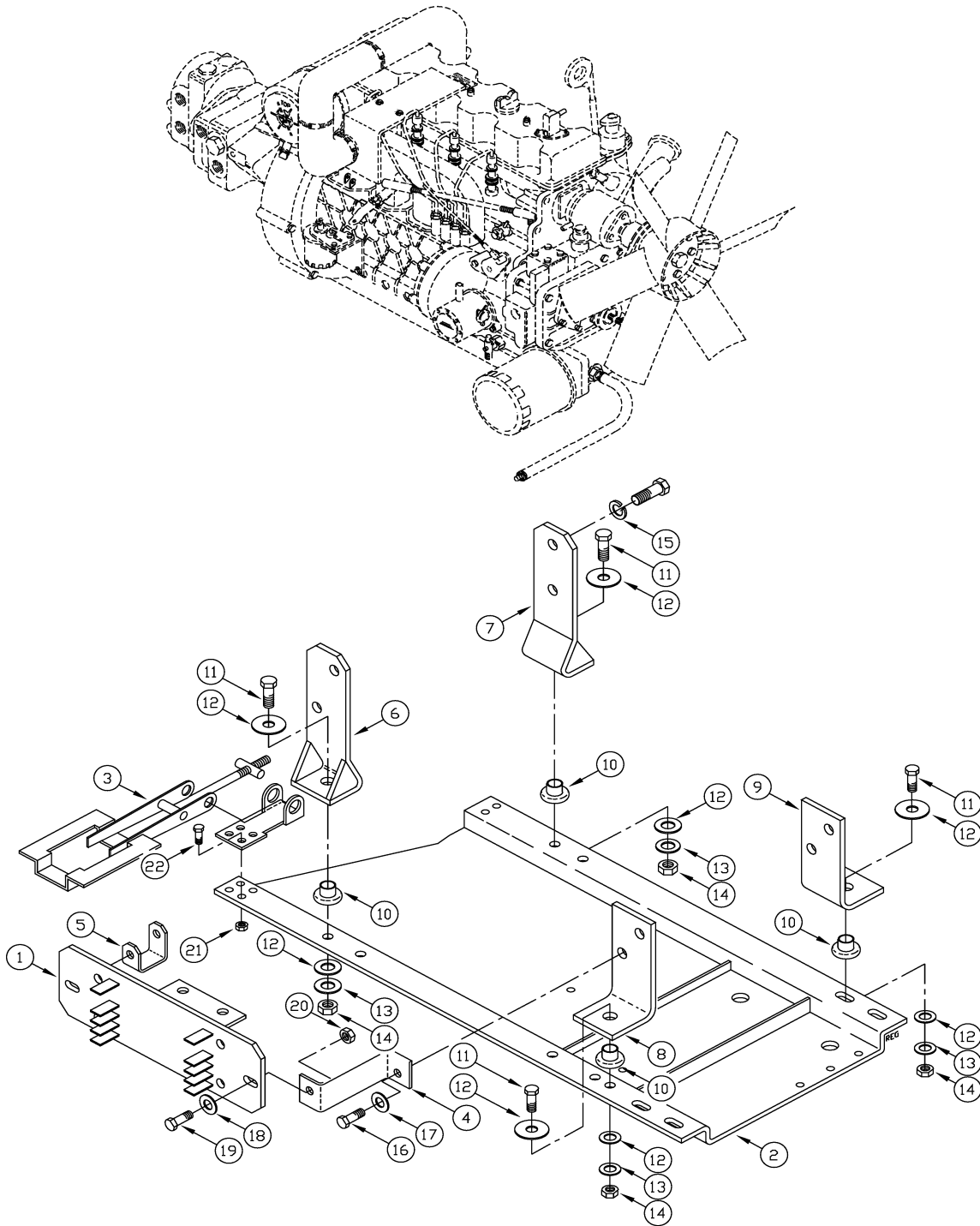


010P1004

ENGINE (DIESEL) GROUP

REF#	PART #	DESCRIPTION	QUANTITY
42	400103	WASHER - LOCK 1/4 SPLIT ZP	11
43	400180	NUT - HEX 1/4 - 28 ZP	4
44	400030	SCR - HEX 3/8 - 16 X 1.00 ZP	3
45	303991	INDICATOR - AIR CLEANER KIT	1
46	044112	CLAMP - HOSE 2.50 MAX WORM	6
47	350248	TUBE - AIR INTAKE SW/10X	1
48	302842	FILTER ELEMENT	1
49	303324	FILTER - FUEL KUBOTA DIESEL	1
50	303325	FILTER - OIL KUBOTA DIESEL	1
51	303385	ADAPTER - 90 EL RUBBER 3.50 X 2.50	2
52	304641	TUBE - AIR INTAKE FORD 2.00	2
53	300396	ADAPTER - 90 EL RUBBER H.DUTY AC	1
54	307980	ELBOW - INTAKE KBA DSL	1
55	400293	SCR - HEX 10MM X 1.25P X 20 MM ZP	2
56	303581	PUMP - MAIN VD FS	1
57	303711	O-RING STATIC SEAL 3.239 ID	1
58	309706	PUMP - AUX W/FLOW DIV.	1
59	310054	VALVE - TOW OPTION	1
	400167	FTG - ADAPTER # 12 TO #8	2
	400679	FTG - #16 ST THRD ELBOW SEAL-LOK	1
	400687	FTG - #6 ST THRD ELBOW SEAL-LOK	1
	400690	FTG - #8 - #10 45 DEG STRAIGHT THRD CONN	1
	400691	FTG - #8 ST THRD ELBOW SEAL-LOK	1
	400695	FTG - #8 45 DEG STRAIGHT THRD CONN	3

ENGINE (DIESEL) GROUP

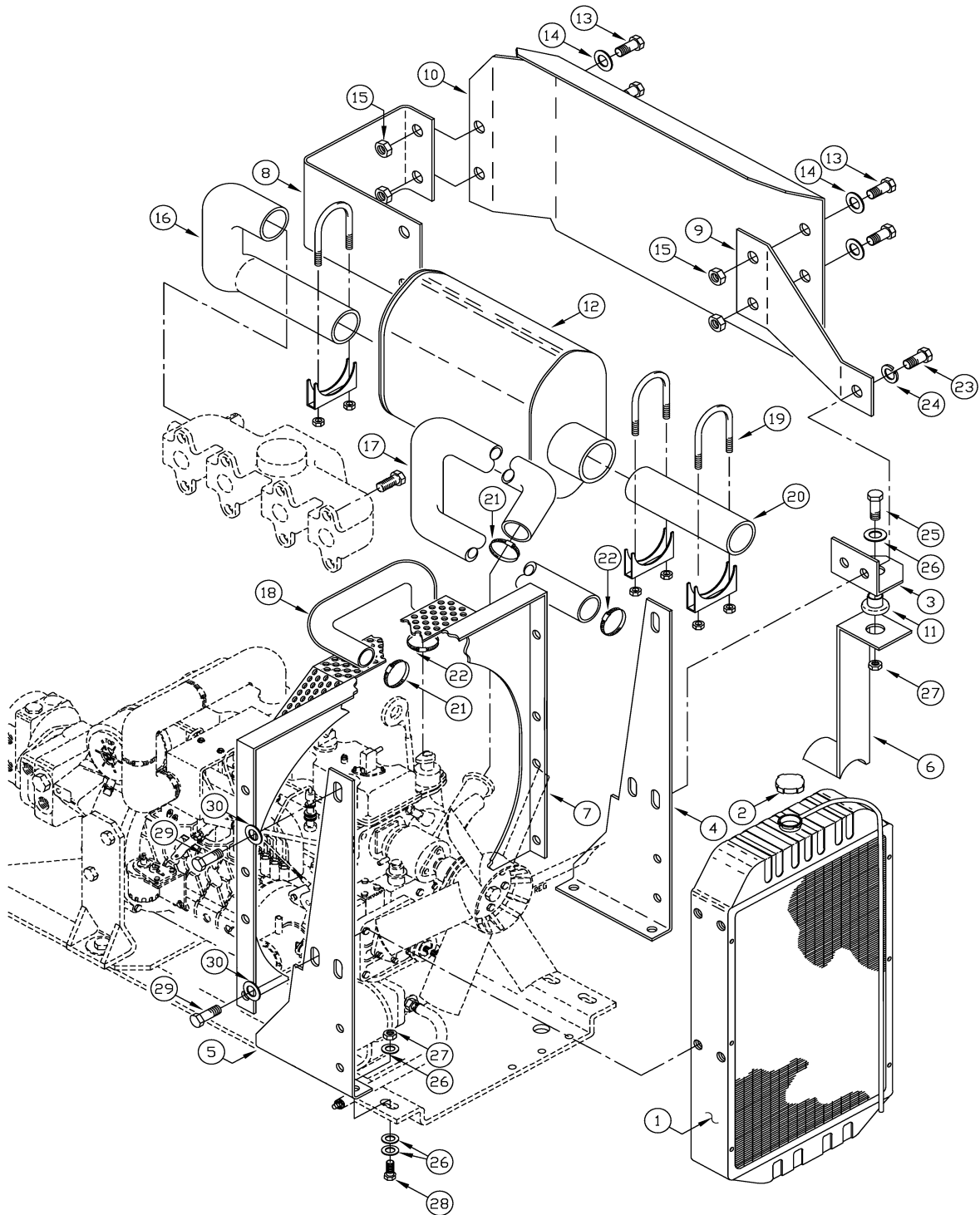


101P1005

ENGINE (DIESEL) GROUP

REF#	PART #	DESCRIPTION	QUANTITY
1	307409	ASSY - HOSE RETAINER ENG PNTD	1
2	307356	ASSY - ENG PAN TYA SW/A PNTD	1
3	307377	LATCH - ENGINE SW/A	1
4	307935	BRKT - HOSE RETAIN KBA DSL PNTD	1
5	315508	MNT - HOSE RETAINER BRKT	1
6	315501	WELDMENT - ENG MOUNT KBA OUTER	1
7	315505	WELDMENT - ENG MOUNT KBA INNER	1
8	307919	MNT - ENG REAR OUTER KBA PNTD	1
9	307918	MNT - ENG REAR INNER KBA PNTD	1
10	300464	MOUNT - ISOLATION	4
11	400020	SCR - HEX 1/2 - 13 X 2.00 ZP	4
12	400091	WASHER - FENDER 1/2 ZP	8
13	400098	WASHER - LOCK 1/2 SPLIT ZP	12
14	400065	NUT - HEX 1/2 - 13 ZP	4
15	400614	WASHER - LOCK 14 MM	8
16	400402	SCR - HEX 12 MM X 1.25 P X 40 MM ZP	1
17	400099	WASHER - LOCK 7/16 SPLIT ZP	1
18	400278	WASHER - FENDER 3/8	1
19	400030	SCR - HEX 3/8 - 16 X 1.00 ZP	1
20	400079	NUT - HEX 3/8 - 16 ES ZP	1
21	400081	NUT -HEX 1/4 - 20 ES ZP	4
22	400042	SCR - HEX 1/4 - 20 X .75 ZP	4

ENGINE (DIESEL) GROUP

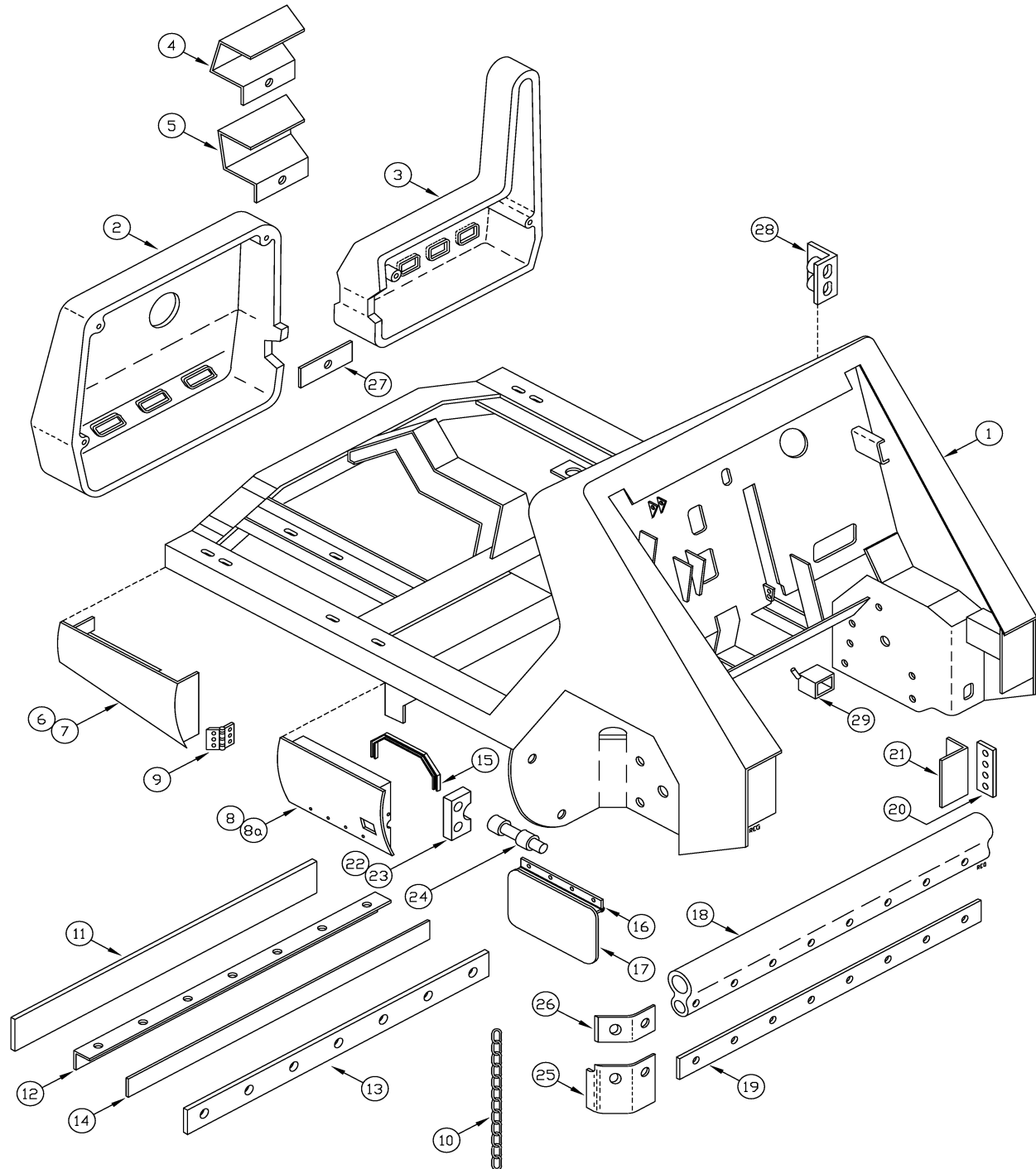


010PI006

ENGINE (DIESEL) GROUP

REF#	PART #	DESCRIPTION	QUANTITY
1	301995	RADIATOR - HEAVY DUTY	1
2	300420	CAP - RADIATOR	1
3	307797	MNT - EXHAUST PIPE SW/A PNTD	1
4	307920	MNT - RH - RAD KBA DSL PNTD	1
5	307921	MNT - LH - RAD KBA DSL PNTD	1
6	307936	BAR - EXH MNT KBA DSL PLTD	1
7	315781	SHROUD - RADIATOR SW/8X & 9X	1
8	315507	MOUNT - HEAT SHIELD 9X DSL HAYES	1
9	307973	MNT - HEAT SHIELD REAR KBA PNTD	1
10	307787	PLT - HEAT SHIELD SW/A	1
11	300465	MOUNT - ISOLATION	1
12	302913	MUFFLER - SPARK ARRESTOR SW KIT	1
13	400042	SCR - HEX 1/4 - 20 X .75 ZP	4
14	400383	WASHER - CONICAL SPRING 1/4	4
15	400063	NUT - FLANGE LOCK 1/4 - 20 ZP	4
16	307942	ASSY - TUBE EXH MANIF KBA PNTD	1
17	315321	HOSE - RADIATOR LOWER KBA	1
18	315368	HOSE - RADIATOR UPPER KBA	1
19	301640	CLAMP - EXHAUST 1 3/4	3
20	307556	TUBE - EXHAUST TAIL TYA SW/A	1
21	302193	CLAMP - HOSE 1.25 NOM	2
22	303255	CLAMP - 1.25 NOM	2
23	400035	SCR - HEX 5/16 - 18 X 1.00 ZP	1
24	400319	WASHER - LOCK 5/16 - 18 X 1.50 ZP	1
25	400028	SCR - HEX 3/8 - 16 X 1.50 ZP	1
26	400278	WASHER - FENDER 3/8	5
27	400079	NUT - HEX 3/8 - 16 ES ZP	5
28	400029	SCR - HEX 3/8 - 16 X 1.25 ZP	4
29	400036	SCR - HEX 5/16 - 18 X 0.75 ZP	6
30	400384	WASHER - CONICAL SPRING 5/16	6

FRAME GROUP

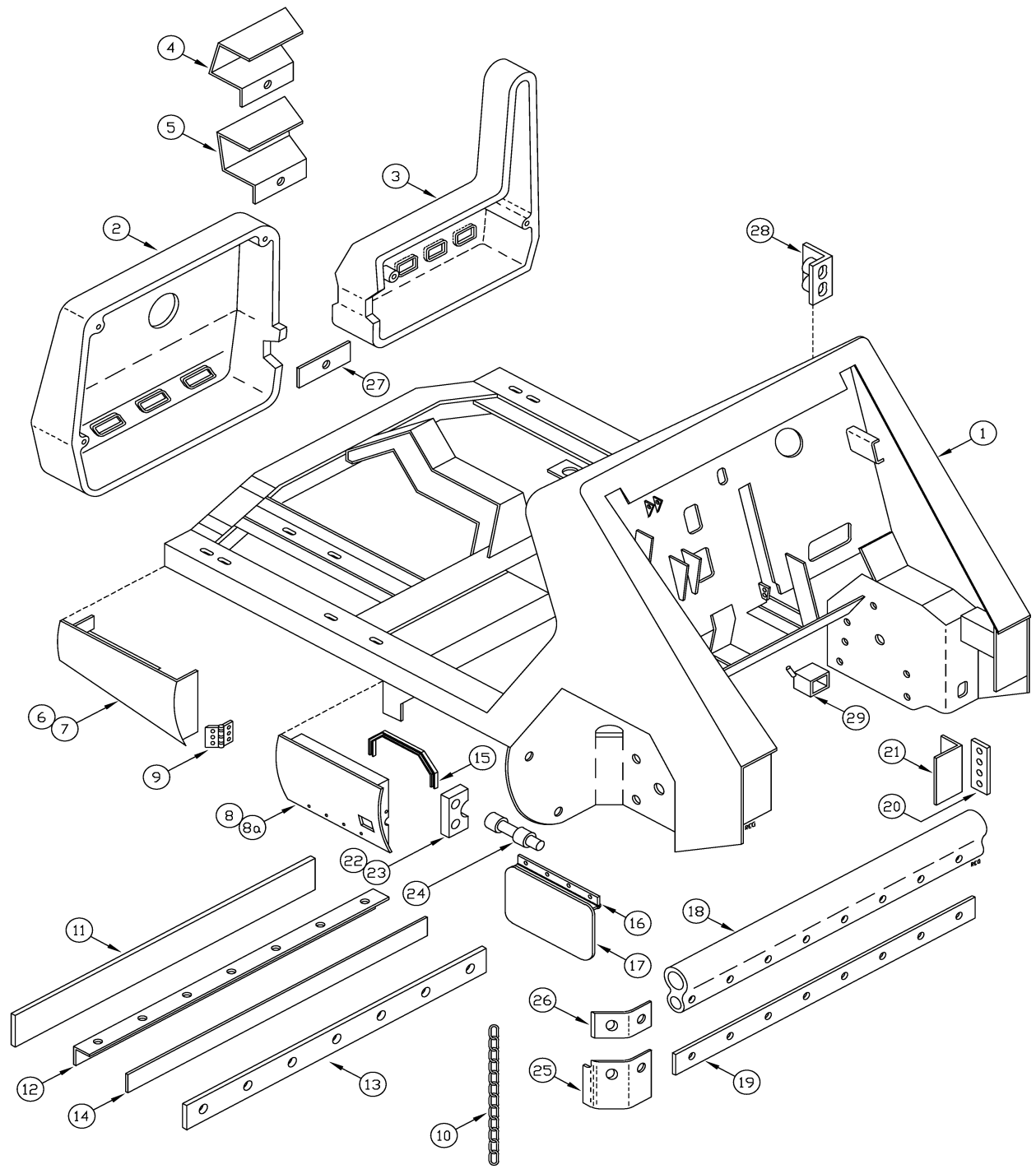


020PI001

FRAME GROUP

REF#	PART #	DESCRIPTION	QUANTITY
1	350153	FRAME ASSEMBLY SW/A	1
	307594	DECAL - FRONT PANEL SW/A	1
2	307320	COUNTERWEIGHT- RH MACHINED PNTD	1
	400442	STUD - THREADED 1/2-13 X 2.0	4
	400086	WASHER - FLAT 1/2 STANDARD ZP	18
	400098	WASHER - LOCK 1/2 SPLIT ZP	4
	400065	NUT - HEX 1/2-13 ZP	4
3	307321	COUNTERWEIGHT - LH MACHINED PNTD	1
	400443	STUD - THREADED 1/2-13 X 2.0	2
	400086	WASHER - FLAT 1/2 STANDARD ZP	2
	400098	WASHER - LOCK 1/2 SPLIT ZP	2
	400065	NUT - HEX 1/2-13 ZP	2
	400023	SCR - HHM 1/2-13 X 1.00 LG ZP	1
	400086	WASHER - FLAT 1/2 STANDARD ZP	1
	400098	WASHER - LOCK 1/2 SPLIT ZP	1
	400065	NUT - HEX 1/2-13 ZP	1
4	350133	ASSY - UPPER CASTING COVER PNTD	1
	400035	SCR - HHM 5/16-18 X 1.00 LG ZP	1
	400088	WASHER - FLAT 5/16 STANDARD ZP	2
	400384	WASHER - CONICAL SPRING 5/16	1
	400390	NUT - FLANGE LOCK 5/16-18	1
5	350134	ASSY - LOWER CASTING COVER PNTD	1
	307831	BACKING - CASTING COVER PNTD	1
	400101	WASHER - LOCK 3/8 SPLIT ZP	1
	400068	NUT - HEX 3/8-16 ZP	1
	305774	ASSY - HD REAR TIE DOWN PNTD	1
	400030	SCR - HHM 3/8-16 X 1.00 LG ZP	2
	400385	WASHER - CONICAL SPRING 3/8	2
	400392	NUT - FLANGE LOCK 3/8-16	2
6	307519	ASSY - RH REAR SIDE SKIRT	1
	400036	SCR - HHM 5/16-18 X .75 LG ZP	8
	400384	WASHER - CONICAL SPRING 5/16	8
	400390	NUT - FLANGE LOCK 5/16-18	8
7	307520	ASSY - LH REAR SIDE SKIRT	1
	400036	SCR - HHM 5/16-18 X .75 LG ZP	8
	400384	WASHER - CONICAL SPRING 5/16	8
	400390	NUT - FLANGE LOCK 5/16-18	8
8	307025	ASSY - BROOM DOOR RH SUB ARMA	1
	contains >	STRAP - BROOM DOOR FLAP PNTD SW/A	2
		FLAP - BROOM DOOR SW/A	2
		LATCH - RH BROOM DOOR SW/A	1
		ASSY - RH BROOM DOOR PNTD SW/A	1
		SCREW - HHM 1/4-20 X .75 LG ZP	4
		SCREW - THM 1/4-20 X .75 LG SS	4
		NUT - FLANGE LOCK 1/4-20 ZP	4

FRAME GROUP (Cont.)

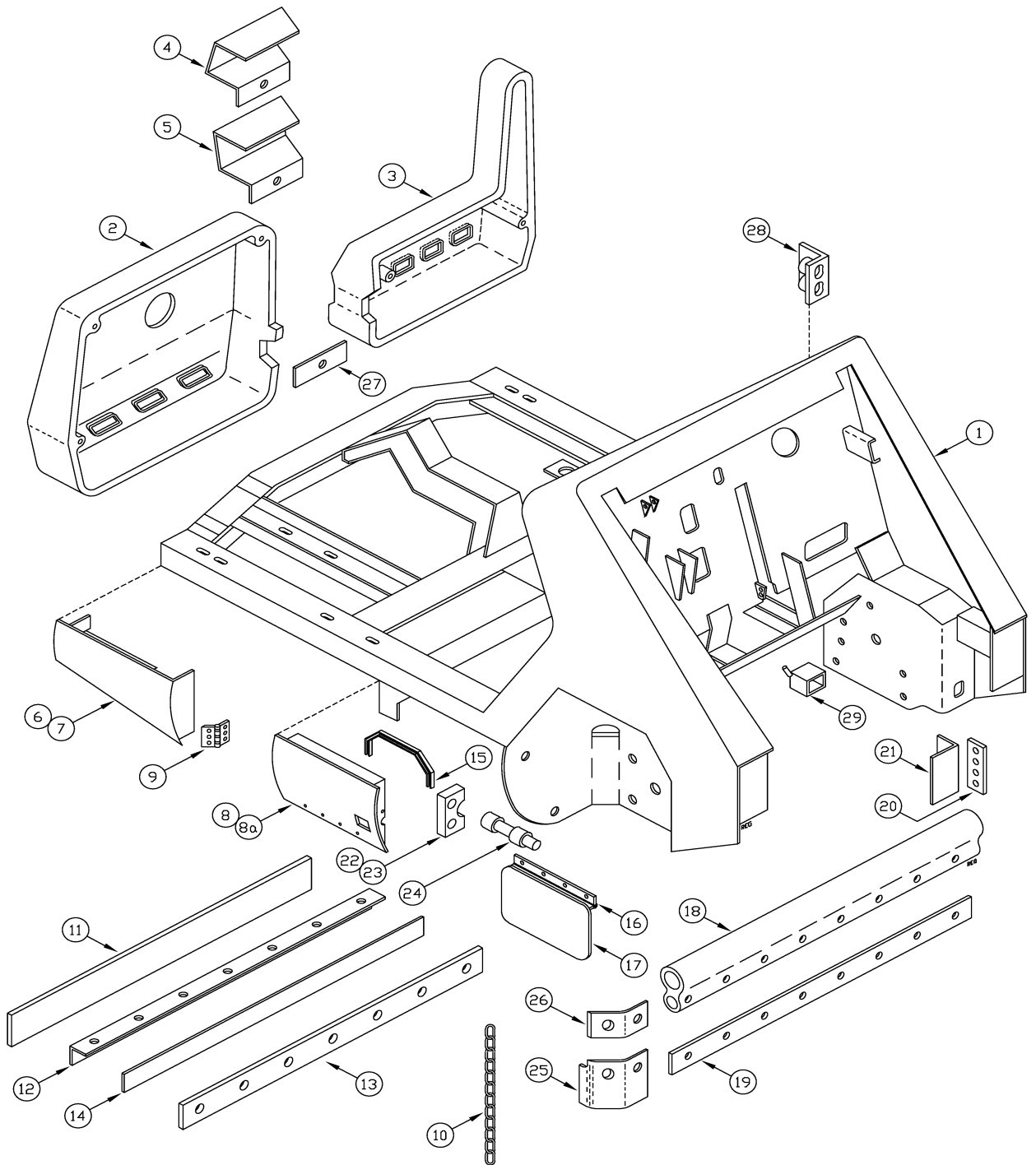


020P1001

FRAME GROUP (Cont.)

REF#	PART #	DESCRIPTION	QUANTITY
		WASHER - LOCK 1/4 SPLIT ZP	4
	400036	SCR - HHM 5/16-18 X .75 LG ZP	3
	400384	WASHER - CONICAL SPRING 5/16	3
8A	307024	ASSY - BROOM DOOR LH SUB ARMA	1
	contains >	STRAP - BROOM DOOR FLAP PNTD SW/A	2
		FLAP - BROOM DOOR SW/A	2
		LATCH - LH BROOM DOOR SW/A	1
		ASSY - LH BROOM DOOR PNTD SW/A	1
		SCREW - HHM 1/4-20 X .75 LG ZP	4
		SCREW - THM 1/4-20 X .75 LG SS	4
		NUT - FLANGE LOCK 1/4-20 ZP	4
		WASHER - LOCK 1/4 SPLIT ZP	4
	400036	SCR - HHM 5/16-18 X .75 LG ZP	3
	400384	WASHER - CONICAL SPRING 5/16	3
9	307275	HINGE - BROOM DOOR	2
	400056	SCR - THM 5/16-18 X 1.00 LG ZP	3 ea.
	400390	NUT - FLANGE LOCK 5/16-18	3 ea.
10	307658	CHAIN - GROUNDING ARMA	1
	400227	SCR - HHM 1/4-20 X 1.25 ZP	1
	400089	WASHER - FLAT 1/4 STANDARD ZP	2
	400103	WASHER - LOCK 1/4 SPLIT ZP	1
	400071	NUT - HEX 1/4-20 ZP	1
11	350128	FLAP - REAR SW/A OUTER	1
12	350129	ANGLE - REAR FLAP SW/A	1
	400041	SCR - HHM 1/4-20 X .88 LG ZP	10
	400383	WASHER - CONICAL SPRING 1/4	10
	400063	NUT - FLANGE LOCK 1/4-20 ZP	10
13	350132	STRAP - REAR FEED FLAP	1
14	350131	FLAP - REAR FEED SW/A INNER	1
	400041	SCR - HHM 1/4-20 X .88 LG ZP	11
	400383	WASHER - CONICAL SPRING 1/4	11
	400063	NUT - FLANGE LOCK 1/4-20 ZP	11
15	307659	GASKET - MAIN BROOM DOOR LH & RH	2
	Free Stock	GASKET - MAIN BROOM DOOR SMALL	2
16	307284	STRAP - BROOM DOOR FLAP	2
17	307280	FLAP - BROOM DOOR SW/A	2
18	350130	SEAL - HOPPER/FRAME SW/A	1
19	350126	STRAP - SEAL HOPPER/FRAME SW/A	1
	400059	SCR - THM 1/4-20 X .75 LG SS	8
	400063	NUT - FLANGE LOCK 1/4-20 ZP	8
20	307285	STRAP - SEAL HOPPER/FRAME SIDE SW/A	2
21	307277	SEAL - HOPPER/FRAME SIDE SW/A	2
	400259	SCR - FHM 5/16-18 X .50 LG ZP	6

FRAME GROUP (Cont.)

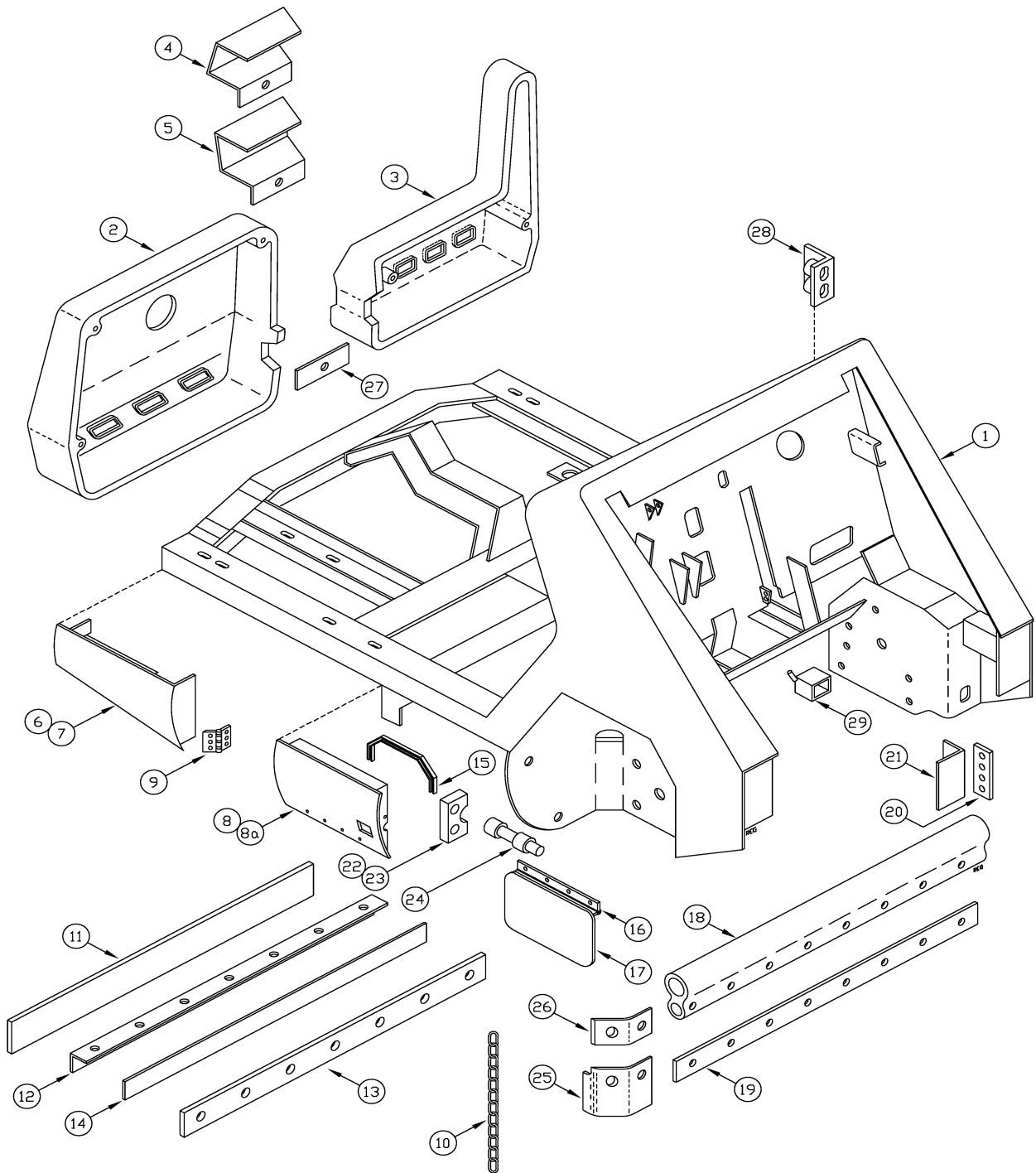


020PI001

FRAME GROUP (Cont.)

REF#	PART #	DESCRIPTION	QUANTITY
	400006	SCR - BHC 5/8-11 X 1.00	6
22	307246	LATCH - BROOM DOOR LH	1
23	307247	LATCH - BROOM DOOR RH	1
24	307248	BOLT - STRIKER BROOM DOOR	2
	400394	NUT - FLANGE LOCK 7/16-14	2
25	307286	FLAP - BROOM CORNER	2
26	307287	STRAP - BROOM CORNER FLAP	2
	400056	SCR - THM 5/16-18 X 1.00 LG ZP	4
	400390	NUT - FLANGE LOCK 5/16-18	4
	307515	STOP - SIDE DOOR	2
	400042	SCR - HHM 1/4-20 X .75 LG ZP	3
	400383	WASHER - CONICAL SPRING 1/4	3
	400063	NUT - FLANGE LOCK 1/4-20 ZP	3
27	350275	BACKING - CASTING COVER SW/10X	
	307518	MOUNT - BROOM DOOR FLAP	4
	307628	COOLER - HYDRAULIC OIL	1
28	307529	ASSY - DOOR STRIKE SW/A PNTD	2
	400405	SCR - HHM 1/2-13 X 3.00 ZP	2
	400262	SCR - HHM 3/8-24 X 1.25 ZP	2
	400086	WASHER - FLAT 1/2 STANDARD ZP	4
	400098	WASHER - LOCK 1/2 SPLIT ZP	2
	400065	NUT - HEX 1/2-13 ZP	2
	400067	NUT - HEX 3/8-24 ZP	2
	307510	ASSY - SIDE DOOR SW/A PNTD	1
	307513	HINGE - SIDE DOOR SW/A PNTD	2
	307560	SPACER - SIDE DOOR SW/A PNTD	1
	400148	SCR - THM 5/16-18 X .50 ZP	8
	400391	NUT - FLANGE LOCK 5/16-24	8
	300380	LATCH ASSY. #C2-10-301-50	1
29	307564	ASSY - BATTERY BOX SW/A PNTD	1
	400036	SCR - HHM 5/16-18 X .75 LG ZP	2
	400384	WASHER - CONICAL SPRING 5/16	2
	400390	NUT - FLANGE LOCK 5/16-18	2
	307639	LEVELER - 5/16-18 SW/A	2
	400390	NUT - FLANGE LOCK 5/16-18	4
	307835	COUNTERWEIGHT - RH MACHND PNTD LP	1
	307930	PIN - LPG TANK PLTD	1
	307821	STRAP - BATTERY SW/A	1
	300440	BATTERY - WET GAS	1
	305643	BATTERY - DRY CHARGED GAS	1
	300448	BATTERY - WET DIESEL	1
	307634	CABLE - GROUND (NEGATIVE) GAS	1
	307634	CABLE - GROUND (NEGATIVE) DIESEL	1
	307633	CABLE - POSITIVE GAS	1

FRAME GROUP (Cont.)

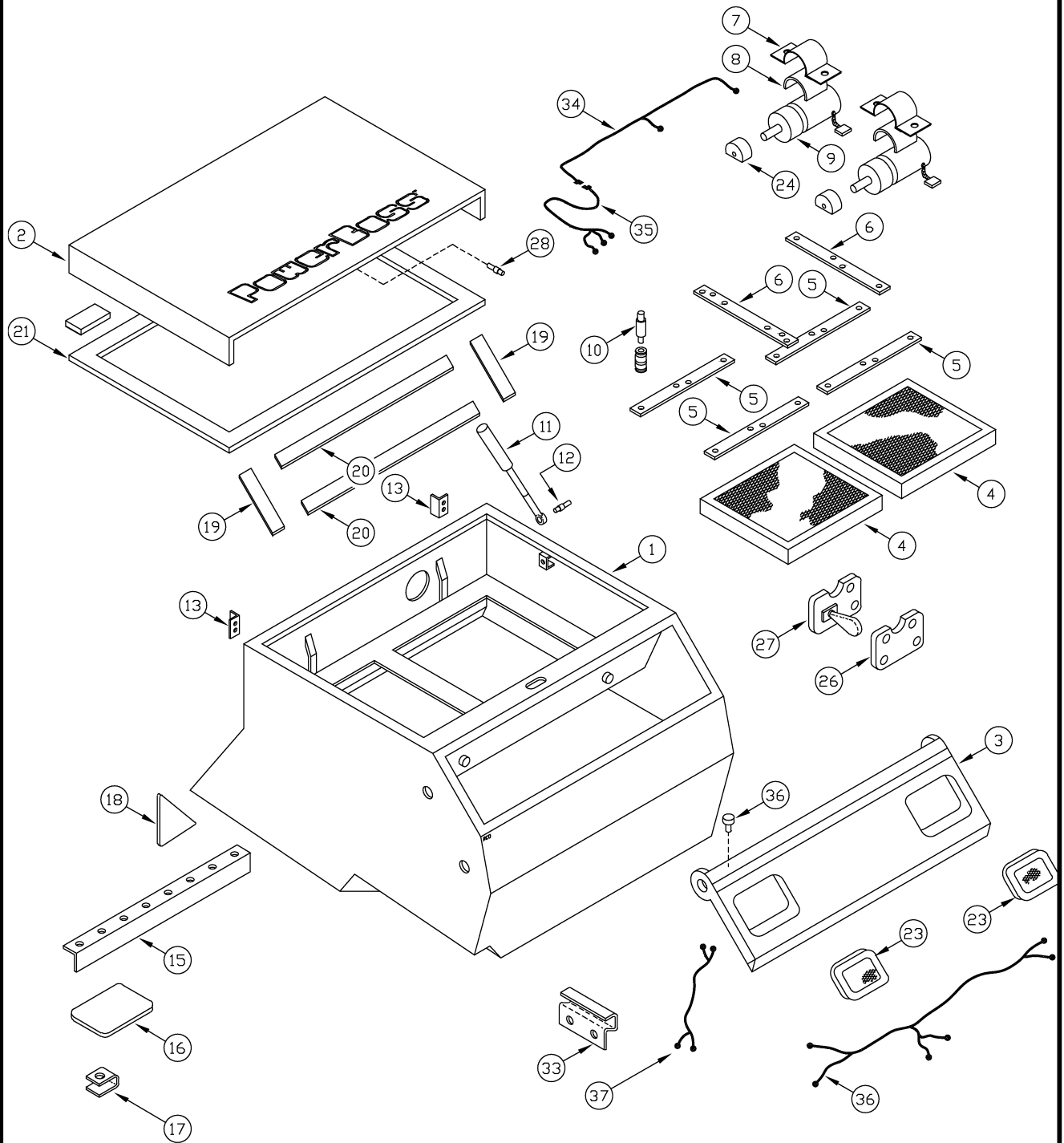


020PI001

**FRAME GROUP (Cont.)**

REF#	PART #	DESCRIPTION	QUANTITY
	307939	CABLE - POSITIVE KBA DSL	1
	307799	ASSY - CORNER GUARD SW/A	1
	400102	WASHER - LOCK 5/16 SPLIT ZP	2
	400070	NUT - HEX 5/16-18 ZP	4
	310090	FUSE PANEL - 6 POSITION ARMA	1
	400484	RIVET - AVDEL 3/16 X .602	3

HOPPER/TANK GROUP

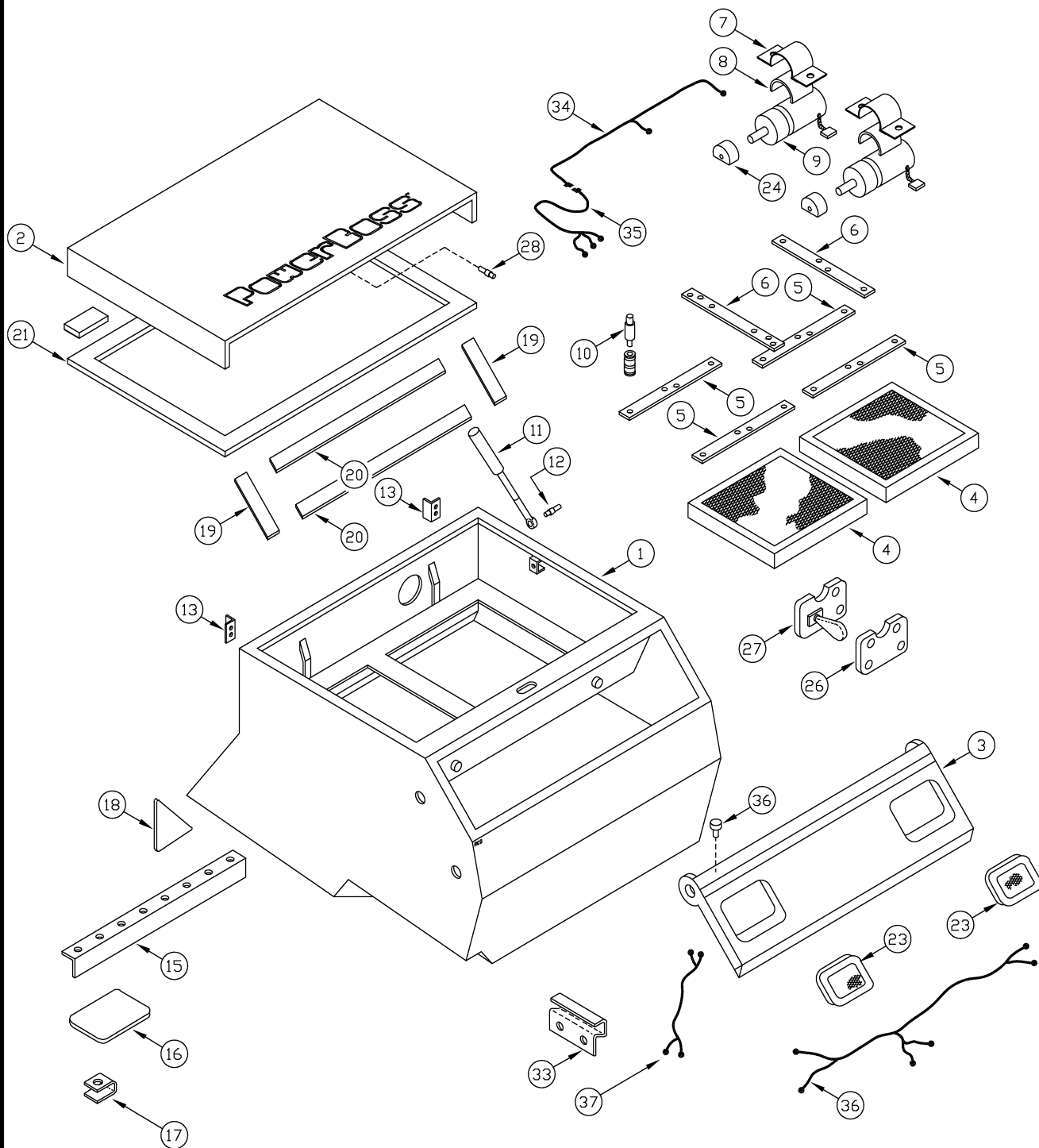


120PI001

HOPPER/TANK GROUP

REF#	PART #	DESCRIPTION	QUANTITY
	350262	ASSY - HOPPER SUB ARMA	1
1	350109	ASSY - HOPPER ARMA PNTD	1
2	350105	ASSY - HOPPER HOOD ARMA PNTD	1
3	350164	ASSY - HOPPER LID ARMA PNTD	1
4	307432	FILTER - DUST CONTROL SW/A	2
5	300919	BAR - FILTER RET FS PNTD	4
6	300917	MOUNT - FILTER SHAKER PNTD	2
7	300915	RETAINER - SHAKER MOTOR PNTD	2
8	300904	MOUNT - NEOPRENE SHAKER MTR	2
9	300424	MOTOR - SHAKER FILTER	2
10	400215	SCREW - HEX 5/16-18 X 4.0 ZP	8
11	305006	SPRING - GAS SW75E	2
12	300376	STUD - BALL GAS SPRING	4
13	307469	HINGE - FILTER COVER PNTD SW/A	2
15	350119	RETAINER - HOPPER FLAP SW/A PNTD	1
16	307720	FLAP - HOPPER FRONT SW/A	5
17	301146	CLIPNUT - 1/4-20 ZP	10
18	307842	FLAP - HOPPER SIDE SW/A	2
	307843	RETAINER - FLAP HOPPER SIDE PLTD	2
21	307724	SEAL - HOPPER HOOD ARMA	1
23	315839	HEADLIGHT - FLUSH MOUNT TYPE C	2
24	301053	WEIGHT ECCENTRIC PNTD	2
26	307468	BAR - FILTER LATCH PNTD SW/A	1
27	307247	LATCH - RH - BROOM DOOR SW/A	1
28	307248	BOLT - STRIKER BRM DOOR LATCH	1
	302236	PLUG - 17/32 DIA CRS PNTD	1
34	302033	WIRING HARNESS - HD GROUP	1
35	307752	WIRE HARNESS - HOPPER/SHAKER EXT	1
36	315330	WIRING HARNESS - HEADLIGHT LD	1
37	307744	WIRING HARNESS - HOPPER LID SW/A	1
	304624	BUMPER - RUBBER CAP	12
	306424	CLIPNUT - 5/16-18 FULLBODY	8
	307722	GASKET - HOPPER LID SHORT	2
	301665	GROMMET - Z-2056	2
	307850	ISOLATOR - HOPPER FILTER SW/A	8
	302776	MOUNT - WIRE TIE LARGE	5

HOPPER/TANK GROUP (Cont.)

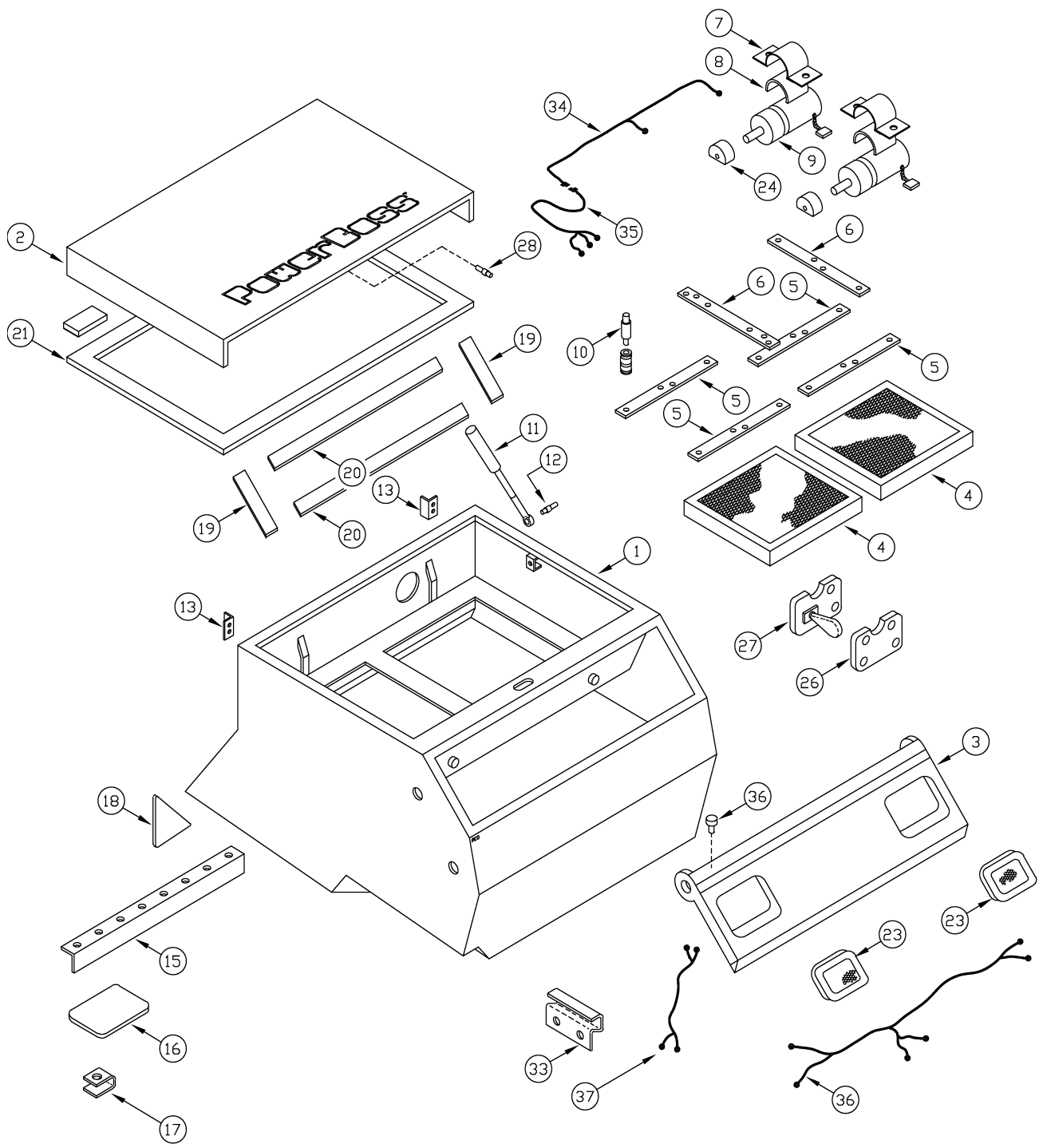


120PI001

HOPPER/TANK GROUP (Cont.)

REF#	PART #	DESCRIPTION	QUANTITY
	400063	NUT - FLANGE LOCK 1/4-20 ZP	3
	400392	NUT - FLANGE LOCK 3/8-16	2
	400390	NUT - FLANGE LOCK 5/16-18	18
	400394	NUT - FLANGE LOCK 7/16-14	1
	400071	NUT - HEX 1/4-20 ZP	4
	400068	NUT - HEX 3/8-16 ZP	2
	400080	NUT - HEX 5/16-18 ES ZP	2
	400070	NUT - HEX 5/16-18 ZP	2
	400329	SCREW - FLAT 5/16-18 X .75 SLT ZP	12
	400044	SCREW - HEX #10-32 X .75 ZP	8
	400043	SCREW - HEX 1/4-20 X .5 ZP	3
	400036	SCREW - HEX 5/16-18 X .75 ZP	4
	400035	SCREW - HEX 5/16-18 X 1.0 ZP	4
	400355	SCREW - LEVEL BOLT 3/8-16 X 2.5 ZP	2
	400055	SCREW - SET #10-24 X .31 ZP	2
	400059	SCREW - THM 1/4-20 X .75 SS	18
	301358	TIE - WIRE	5
	400385	WASHER - CONICAL SPRING 3/8	16
	400384	WASHER - CONICAL SPRING 5/16	6
	400086	WASHER - FLAT 1/2 STANDARD ZP	2
	400102	WASHER - LOCK 5/16 SPLIT ZP	6
	400103	WASHER - LOCK 1/4 SPLIT ZP	4
	301155	CLIPNUT - 5/16-18 XP	8
	307743	BACKING PLATE - HOPPER PNTD	2
	400068	NUT - HEX 3/8-16 ZP	8
	4000-0032	SCREW - FHM 3/8-16 X 1.0	4
	400030	SCREW - HHM 3/8-16 X 1.00 LG ZP	2
	400087	WASHER - FLAT 3/8 STANDARD ZP	4
	400101	WASHER - LOCK 3/8 SPLIT ZP	6
	307098	ASSY - HOPPER LID SUB ARMA	1
	301358	TIE - WIRE	2
	301359	HEADLIGHT - FLUSH MOUNT TYPE C	2
	301367	WIRING HARNESS - HEADLIGHT LD	1
	301665	GROMMET - Z-2056	1
	302776	MOUNT - WIRE TIE LARGE	2
	307530	ASSY - HOPPER LID ARMA PNTD	1
19	307722	GASKET - HOPPER LID SHORT	2

HOPPER/TANK GROUP (Cont.)

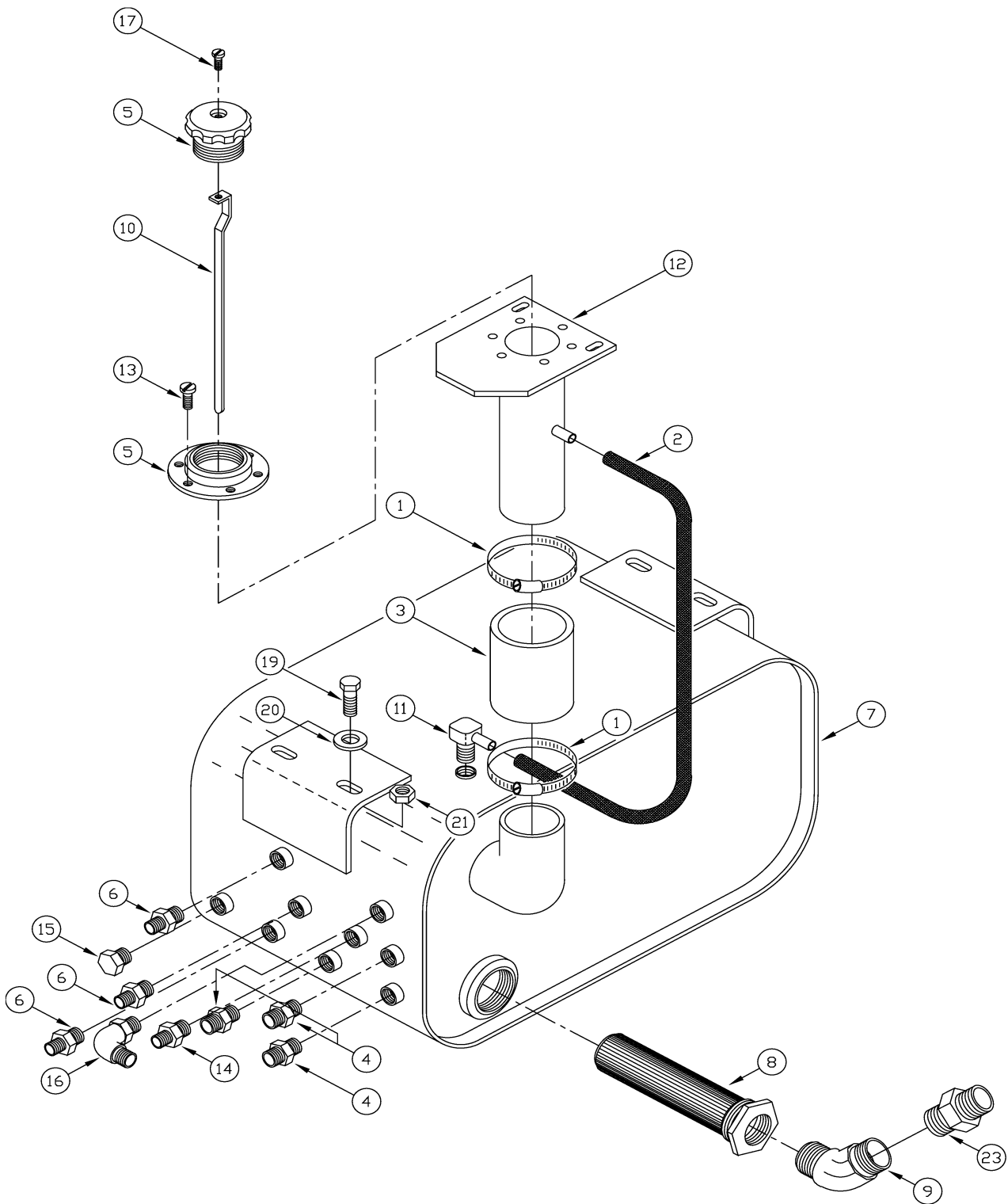


120PI001

HOPPER/TANK GROUP (Cont.)

REF#	PART #	DESCRIPTION	QUANTITY
20	350180	GASKET - HOPPER LID LONG ARMA	2
	307744	WIRING HARNESS - HOPPER LID SW/A	1
	400044	SCREW - HEX #10-32 X .75 ZP	8
	400047	SCREW - SHC 5/16-18 X .75 LG ZP	2
	400088	WASHER - FLAT 5/16 STANDARD ZP	6
	400390	NUT - FLANGE LOCK 5/16-18	2
	301665	GROMMET - Z-2056	2
33	307745	GUARD - WIRE HOPPER SW/A PNTD	1
	400207	SCREW - HHM 5/16-18 X .50 ZP	2
	400390	NUT - FLANGE LOCK 5/16-18	2
FRONT BUMPER ASSEMBLY:			
	307732	ANGLE - BUMPER ADJ SW/A PNTD	2
	400029	SCR - HHM 3/8-16 X 1.25 LG ZP	4
	400385	WASHER - CONICAL SPRING 3/8	4
	400392	NUT - FLANGE LOCK 3/8-16	4
	350183	ASSY - FRONT BUMPER SW/A PNTD	1
	300338	BUMPER - RUBBER	4
	307818	SPACER - SHOCK DISK PLTD	12
	400028	SCR - HHM 3/8-16 X 1.50 LG ZP	4
	400087	WASHER - FLAT 3/8 STANDARD ZP	4
	400079	NUT - HEX 3/8-16 ES ZP	4
	400029	SCR - HHM 3/8-16 X 1.25 LG ZP	4
	400385	WASHER - CONICAL SPRING 3/8	4
	400392	NUT - FLANGE LOCK 3/8-16	4

HYDRAULIC GROUP - HYDRAULIC RESERVOIR

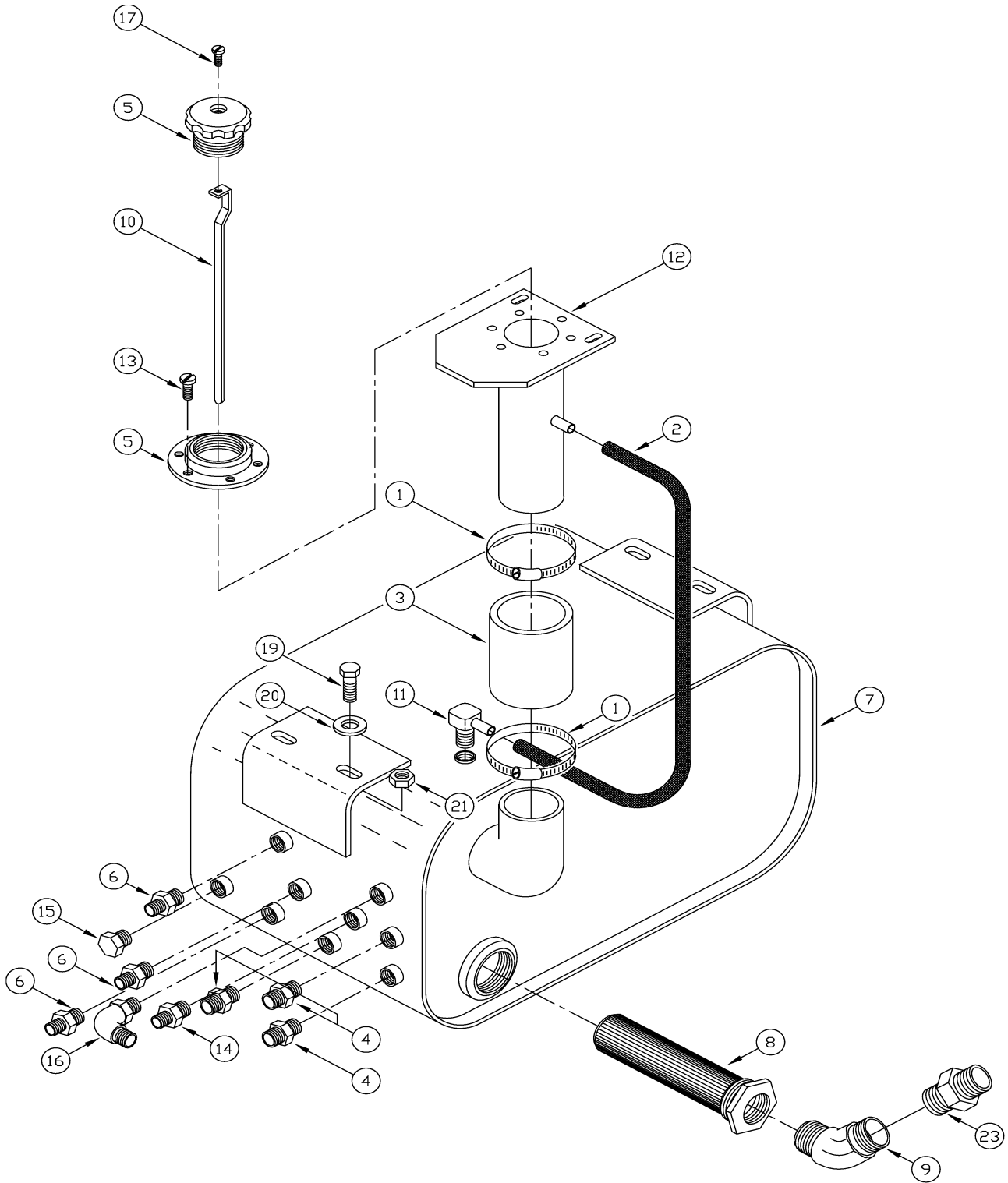


080P1002

HYDRAULIC GROUP - HYDRAULIC RESERVOIR

REF#	PART #	DESCRIPTION	QUANTITY
	350254	ASSY - HYD RES SUB ARMA	1
1	300336	CLAMP - HOSE 2 1/2 NOM SS	2
2	302703	HOSE - VACUUM LINE	1
3	303577	HOSE - INTAKE MANIFOLD LP	1
4	400692	FTG - 8F5OLO-S STR THRD CONN	3
5	305576	ASSY - FILTER/BREATHER FLOW EZY	1
6	400686	FTG- 6 -5F5OLO-S STR THRD CONN	3
7	307572	RESERVOIR - HYDRAULIC SW/A	1
8	307573	STRAINER - HYDRAULIC TM-15	1
9	400680	FTG - 1CD45-5 45 DEG STR ELBOW	1
10	307580	DIPSTICK - HYD RESERVOIR SW/A	1
11	307778	FTG - 90 EL 1/8 MPT X 1/4 HOSE BA	1
12	310072	ASSY - HYD FILL TUBE ARMAS PNTD	1
13	400044	SCREW - HEX #10-32 X .75 ZP	6
14	400681	FTG-4-6F5OLO-S STR THRD CONN	1
15	400164	FTG - PLUG 3/4-16 O-RING	1
16	400685	FTG - 6-5C5OLO-5 STR THRD ELBOW	1
17	400315	SCREW - HEX #10-32 X .5 ZP	1
	400399	NUT - HEX NYLON LOCK #10-24 SS	7
19	400035	SCREW - HEX 5/16-18 X 1.0 ZP	4
20	400384	WASHER - CONICAL SPRING 5/16	4
21	400390	NUT - FLANGE LOCK 5/16-18	4
	400042	SCR - HHM 1/4-20 X .75 LG ZP	2
	400383	WASHER - CONICAL SPRING 1/4	2
	400063	NUT - FLANGE LOCK 1/4-20 ZP	2
	350259	ASSY - HYDRAULIC FILTER SUB ARMA	1
	300358	ASSY - HYDRAULIC FILTER (housing, filter & O-ring)	1
	400675	FTG - 10 -12 F5OLO-S STR THRD CONN	1
	400678	FTG - 12R5OLO-S STR THRD RUN TEE	1
	400677	FTG - 12C6LO-S SWIVEL NUT ELBOW	2
23	400696	FTG - 16FLO-S MALE PIPE CONN	1
	300359	FILTER - HYD 10 MICRON (SP) (filter & O-ring)	1
	400030	SCR - HHM 3/8-16 X 1.00 LG ZP	2
	400101	WASHER - LOCK 3/8 SPLIT ZP	2
	307746	CLAMP - HOSE RADIATOR PLTD	1

HYDRAULIC GROUP - HYDRAULIC RESERVOIR (Cont.)

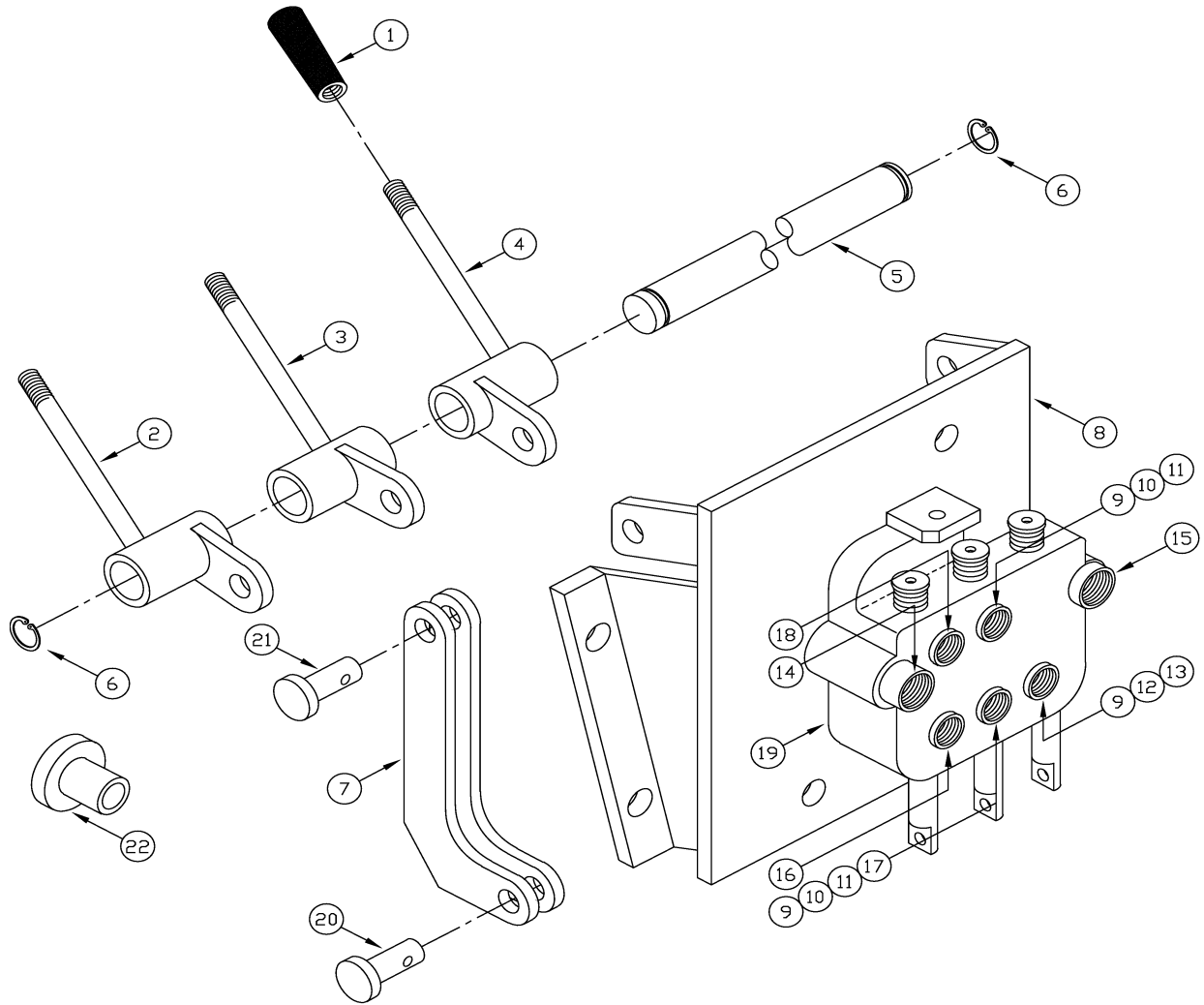


080P1002

HYDRAULIC GROUP - HYDRAULIC RESERVOIR (Cont.)

REF#	PART #	DESCRIPTION	QUANTITY
	400041	SCR - HHM 1/4-20 X .88 LG ZP	1
	400383	WASHER - CONICAL SPRING 1/4	1
	400063	NUT - FLANGE LOCK 1/4-20 ZP	1
	307793	CLAMP - HOSE SW/A PLTD	1
	400036	SCR - HHM 5/16-18 X .75 LG ZP	1
	400384	WASHER - CONICAL SPRING 5/16	1
	400390	NUT - FLANGE LOCK 5/16-18	1
	302471	VALVE - FLOW CONTROL (NEEDLE)	1
	400036	SCREW - HHM 5/16-18 X .75 LG ZP	2
	400384	WASHER - CONICAL SPRING 5/16	2
	400390	NUT - FLANGE LOCK 5/16-18	2
	***	OIL - MOTOR/HYDRAULIC 15W40	20 qts.

HYDRAULIC GROUP - CONTROL VALVE

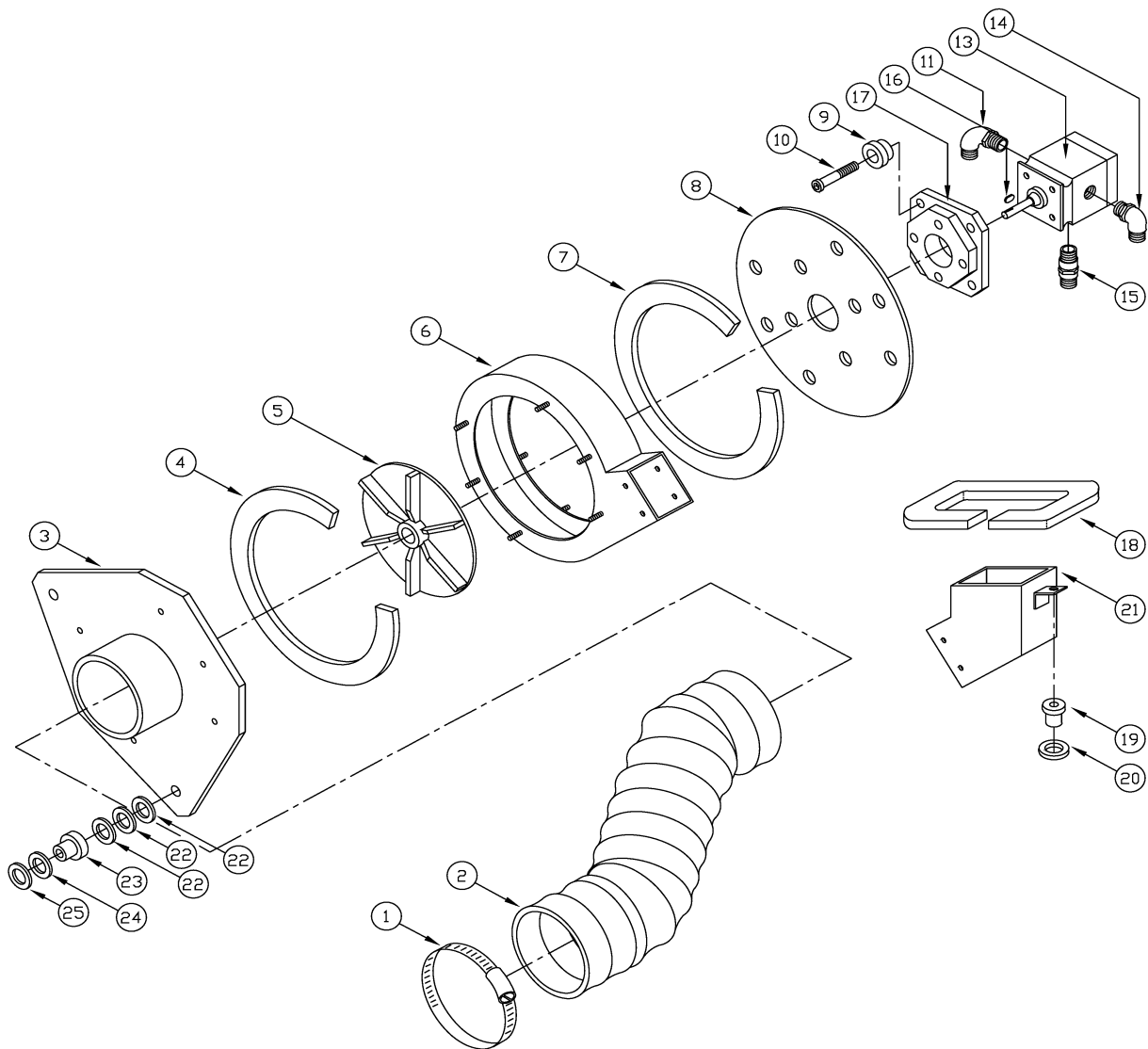


080P1003

HYDRAULIC GROUP - CONTROL VALVE

REF#	PART #	DESCRIPTION	QUANTITY
	307027	ASSY- CONTROL VALVE SUB ARMA	1
1	300558	KNOB - TAPERED #145 BLACK	3
2	307026	ASSY - LEVER COMP RH ARMA	1
3	307028	ASSY - LEVER COMP CENTER ARMA	1
4	307029	ASSY - LEVER COMP LH ARMA	1
5	300884	ROD - PIVOT CONTROL VALVE PLTD	1
6	300548	RING - RETAINING EXT .38	2
7	307206	LINK - HYD VLV SW/A PLTD	6
8	307196	ASSY - CONT VLV MNT PNTD SW/A	1
9	400707	FTG - 8-6F5OG5-S STRAIGHT THRD REDUCER SEAL-LOK3	
10	400706	FTG - 6R5OLO- S STRAIGHT THRD RUN TEE SEAL - LOK 2	
11	301683	ORIFICE - "A"	2
12	400681	FTG - 4-6 F5OLO-S STRAIGHT THRD CONN SEAL -LOK	1
13	309354	ORIFICE #32	1
14	400690	FTG - 8-10V5OLO-S 45 DEG STR THRD ELBOW SEAL-LOK1	
15	400688	FTG - 8-10C5OLO-S STR THRD ELBOW SEAL-LOK	1
16	400694	FTG - 8R5OLO-S STR THRD RUN TEE SEAL-LOK	1
17	400708	FTG - 6R6LO-S SWIVEL NUT RUN TEE SEAL-LOK	1
18	400695	FTG - 8V5OLO-S 45 DEG STR THRD ELBOW SEAL-LOK	1
19	307433	VALVE - HYD CONTROL 3-SPOOL SW/A	1
20	400426	PIN - CLEVIS 3/16 X 3/4 ZP	3
21	400425	PIN - CLEVIS 1/4 X 5/8 ZP	3
22	300465	MOUNT - ISOLATION	4
	400037	SCREW - HHM 5/16-18 X 2.75 LG ZP	1
	400038	SCREW - HHM 5/16-18 X 2.25 LG ZP	1
	400070	NUT - HEX 5/16-18 ZP	2
	400088	WASHER - FLAT 5/16 STANDARD ZP	2
	400102	WASHER - LOCK 5/16 SPLIT ZP	2
	400028	SCR - HHM 3/8-16 X 1.50 LG ZP	4
	400078	NUT - HEX 1/2-13 ES ZP	4
	400079	NUT - HEX 3/8-16 ES ZP	4

IMPELLER GROUP

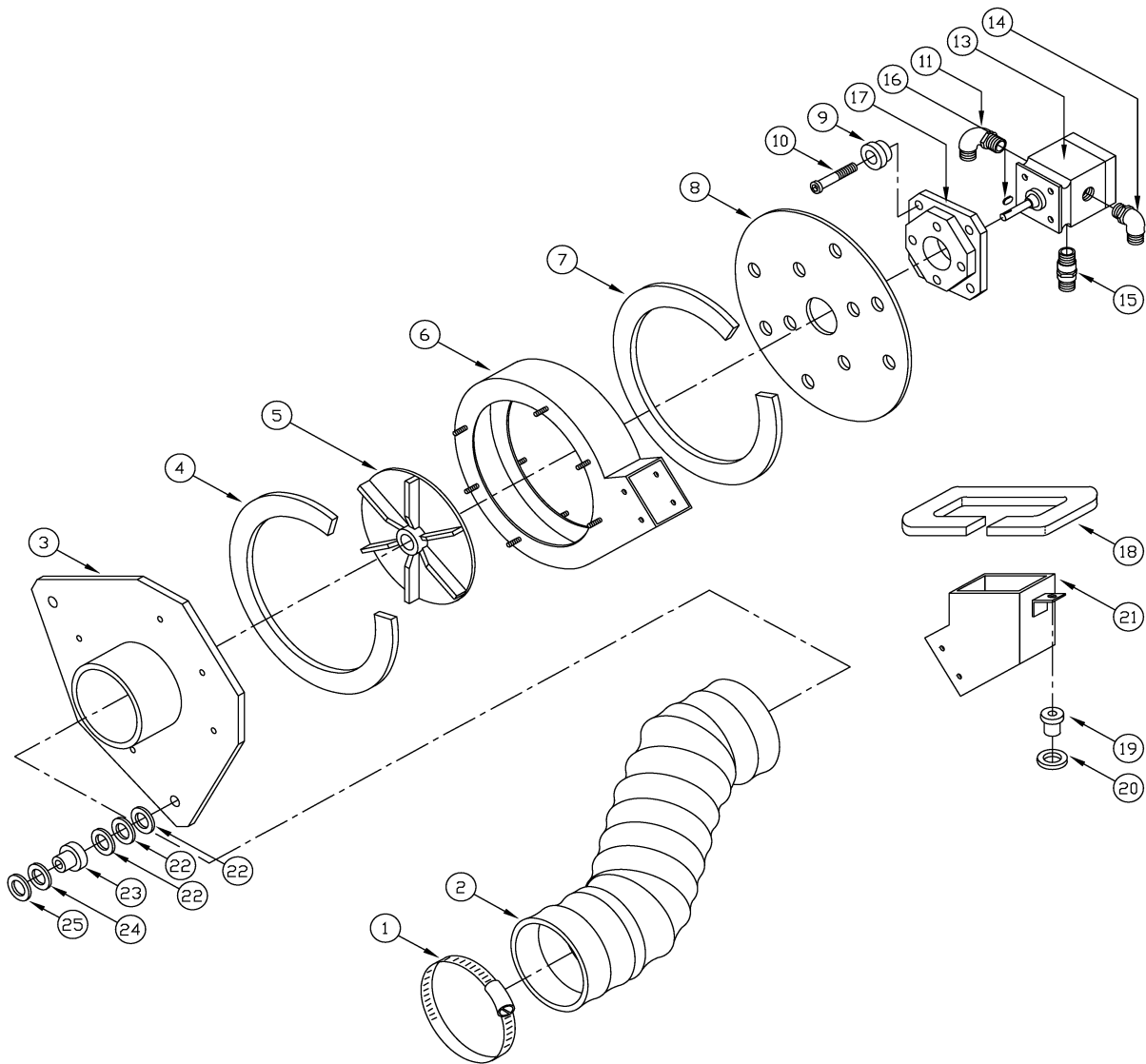


121P1001

IMPELLER GROUP

REF#	PART #	DESCRIPTION	QUANTITY
1	300351	HOSE CLAMP, 4.00" DIAMETER	1
2	307767	FLEXIBLE HOSE, 4" (6 3/4" LENGTH)	1
	400035	SCREW - HHM 5/16-18 X 1.00 LG ZP	2
	400384	WASHER - CONICAL SPRING 5/16	2
	350250	ASSY - IMPELLER SUB SW/10X	1
3	307166	FRONT MOUNT ASSEMBLY, IMPELLER SW/A	1
4	304183	GASKET, IMPELLER (SW/75 & SW/A)	1
5	307003	IMPELLER, SW/A	1
6	307004	SHROUD, IMPELLER SW/A	1
7	304183	GASKET, IMPELLER (SW/75 & SW/A)	1
8	307172	MOUNT, IMPELLER MOTOR SW/A	1
10	300465	ISOLATION MOUNT	4
11	400691	FTG - 8C50L0-S ST THD EL S-LOK	1
13	307002	MOTOR - IMPELLER SW/A	1
14	400154	FTG - 8C50L0-S ST THD EL S-LOK	1
15	400212	HYDRAULIC FITTING, ADAPTER 7/16-20 TO #4	1
	400683	FTG-4F50L0-S ST THD CON S-LOK	1
	400684	FTG-4R6L0-S SWVL NUT RUN TE SL	1
17	307152	MOUNT ASSEMBLY - IMPELLER MOTOR SW/A	1
19	300465	ISOLATION MOUNT	1
20	400278	FENDER WASHER 3/8	1
21	307189	IMPELLER MANIFOLD ASSY., SW/A	1
22	400278	FENDER WASHER 3/8	5
23	300465	ISOLATION MOUNT	4
25	400278	FENDER WASHER 3/8	3
	400028	SCREW - HHM 3/8-16 X 1.50 LG ZP	3
	400070	NUT - HEX 5/16-18 ZP	4
	400079	NUT - HEX 3/8 -16 ES ZP	4
	400081	NUT - HEX 1/4-20 ES ZP	14
	400089	WASHER - FLAT 1/4 STANDARD ZP	4
	400102	WASHER - LOCK 5/16 SPLIT ZP	4
	400252	SCREW - HEX 1/4-20 X 3.0 ZP	2
	400349	SCREW - FHM 5/16-18 X 1.00 LG SS	3
	400420	NUT - HEX 5/16-24 ES	1
9	307187	SPACER, IMPELLER	4

IMPELLER GROUP (Cont.)

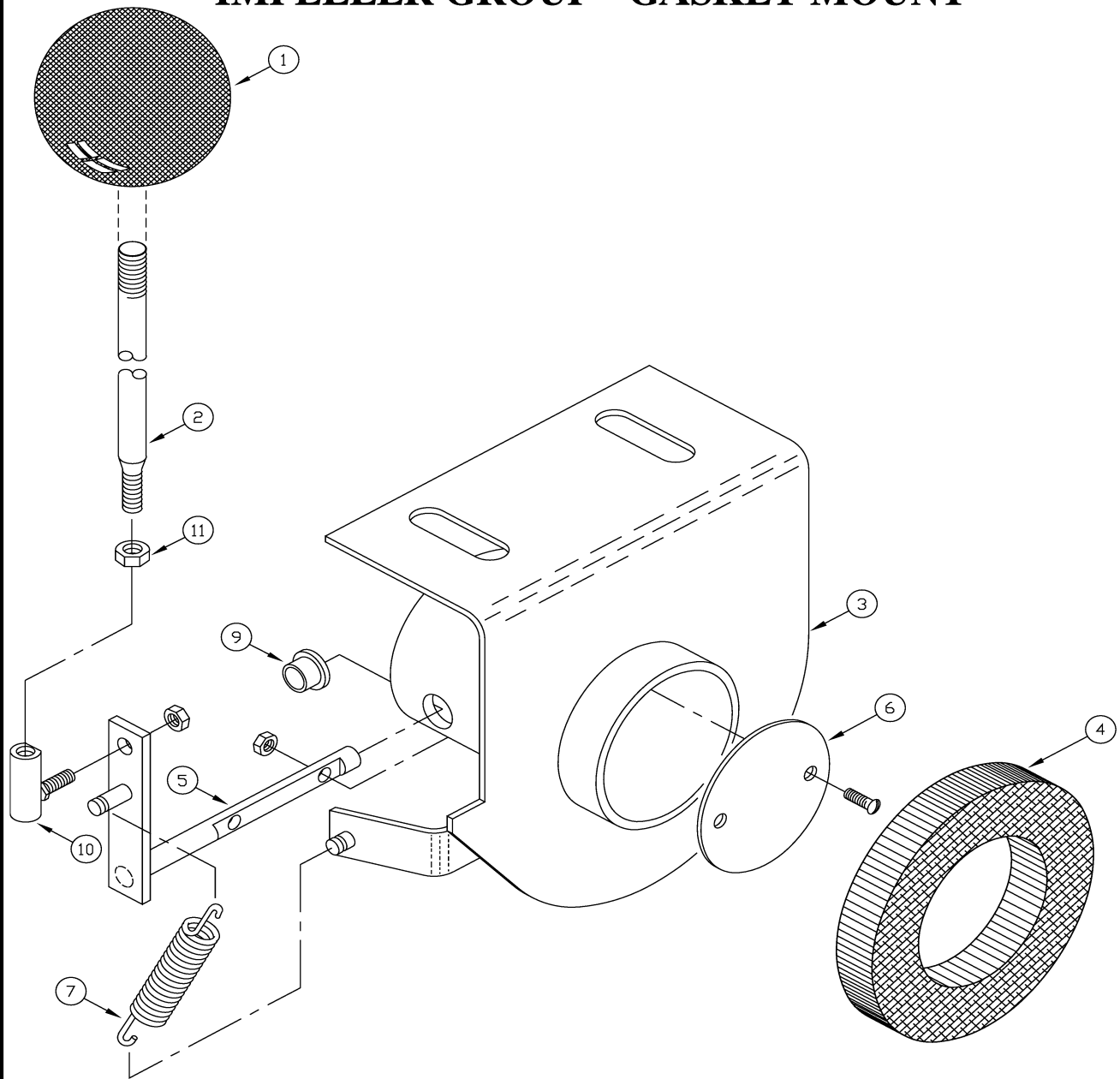


121P1001

**IMPELLER GROUP**

REF#	PART #	DESCRIPTION	QUANTITY
	300465	MOUNT - ISOLATION	4
18	307777	GASKET - IMPELLER MANIFOLD SW/A	1
24	307188	ISOLATION SPACER, IMPELLER	3
	400027	SCREW - HHM 3/8-16 X 1.75 LG ZP	3
	400028	SCR - HHM 3/8-16 X 1.50 LG ZP	1
	400278	WASHER - FENDER 3/8	17
	400079	NUT - HEX 3/8-16 ES ZP	4

IMPELLER GROUP - GASKET MOUNT

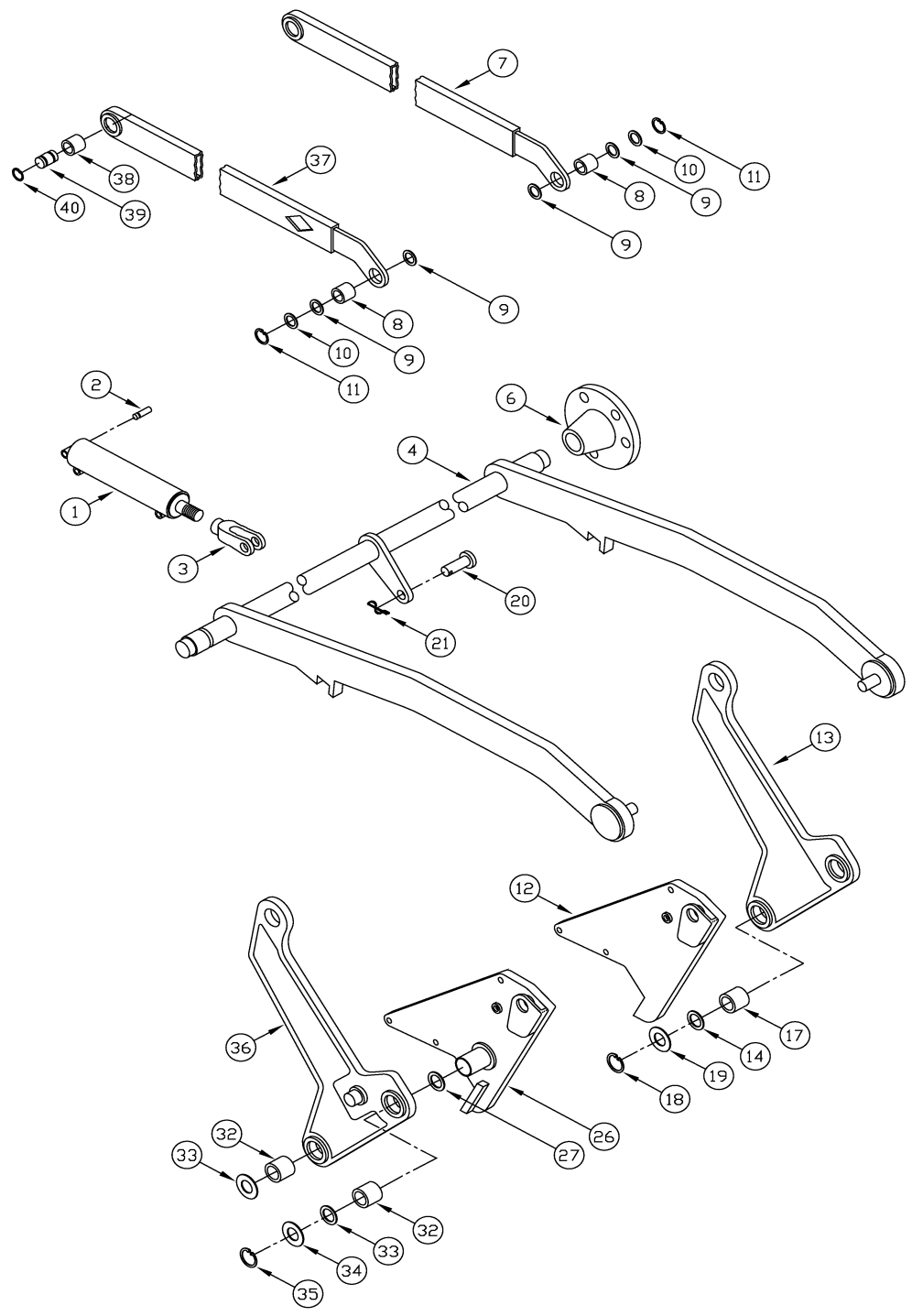


121PI002

IMPELLER GROUP - GASKET MOUNT

REF#	PART #	DESCRIPTION	QUANTITY
	350258	ASSY - GASKET MOUNT SUB ARMA	1
1	300563	KNOB - BALL 1" DIA #113 - BLACK	1
2	350206	ROD - IMPELLER BAFFLE PLTD	1
3	307182	ASSY - GASKET MOUNT PNTD SW/A	1
4	307005	GASKET - IMPELLER SW/A	1
5	307155	ASSY - GASKET MOUNT BAFFLE PLTD SW/A	1
6	301498	DAMPER - HOPPER SHUTOFF PLTD	1
7	304160	SPRING - EXTENSION 2.00 LG	1
	400103	WASHER - LOCK 1/4 SPLIT ZP	1
9	300414	BUSHING - PLASTIC MAIN BROOM	2
10	301199	ASSY - BALL JOINT 1/4	1
11	400180	NUT - HEX 1/4-28 ZP	2
	310092	CAP - VACUUM ASSY GSKT MNT ARMA	1
	310093	PLUG - 3/8 PLASTIC ASSY GSKT MNT	1
	400045	SCREW - PAN #8-32 X .62 SLT ZP	2
	400082	NUT - HEX #8-32 ES ZP	2
	307767	HOSE - IMPELLER ARMA	1
	300351	CLAMP - HOSE 4.00 DIA	2
	400035	SCREW - HHM 5/16-18 X 1.00 LG ZP	2
	400390	NUT - FLANGE 5/16-18	2
	400384	WASHER - CONICAL SPRING 5/16	2

LIFT ARM GROUP

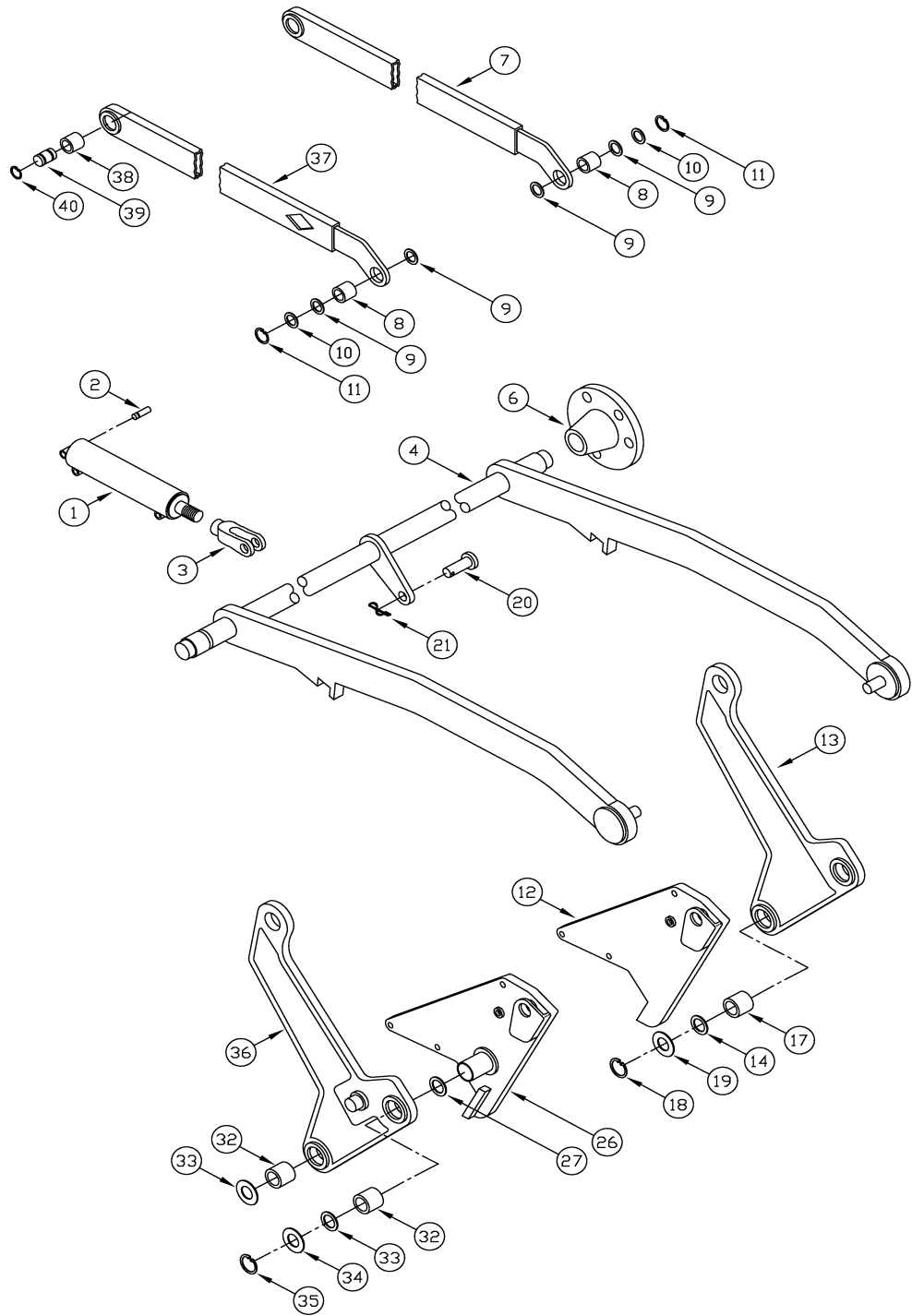


022P1001

LIFT ARM GROUP

REF#	PART #	DESCRIPTION	QUANTITY
1	307243	CYLINDER - LIFT HOPPER ARMA	1
	400152	FTG - 90 1/2-20 TO #5	2
2	307408	PIN - LOWER LIFT CYL PLTD SW/A	1
3	301370	CLEVIS - HYD CYL LD (SP)	1
4	350103	ASSY - LIFT ARM HOPPER PNTD	1
	400025	SCREW - HHM 7/16-14 X 1.25 LG ZP	8
	400099	WASHER - LOCK 7/16 SPLIT ZP	8
	302472	MOUNT - WIRE TIE LOW PROFILE	1
	4000-0088	NUT - NYLON LK 5/8-11	1
	4000-0089	RIVET - AVDEL 3/16 X .602	1
	400107	PIN - CLEVIS 1.00 X 2-5/8 ZP	1
	400121	PIN - COTTER 5/32 X 1.50 ZP	1
	400012	FTG - GREASE 3/16	4
6	307605	ASSY - DUMP ARM MNT SW/A PNTD	2
	400025	SCREW - HHM 7/16-14 X 1.25 LG ZP	8
	400099	WASHER - LOCK 7/16 SPLIT ZP	8
	350264	ASSY - SECONDARY ARM SUB ARMA RH	1
8	300836	BEARING - .218 OD X 2.00 ID X .75	1
38	300837	BEARING - 1.12 OD X 1.00 ID X .75	2
37	307312	ASSY - UPPER LIFT ARM SW/A PNTD	1
	350225	HOSE - 1/4 AR 110.00 ST#5 90S#4	1
	350226	HOSE - 1/4 AR 100.00 ST#5 90S#4	1
	315269	JACKET - HOSE ASB-19 (91")	1
	307751	WIRE HARNESS - LIFT ARM SW/A	1
	350263	ASSY - SECONDARY ARM SUB ARMA LH	1
8	300836	BEARING - .218 OD X 2.00 ID X .75	1
38	300837	BEARING - 1.12 OD X 1.00 ID X .75	2
7	307550	ASSY - LH UPPER LIFT ARM SW/A PNTD	1
	350224	HOSE - 1/4 AR 122.50 ST#5 ST#4	1
	350227	HOSE - 1/4 AR 106.25 ST#5 ST#4	1
	315270	JACKET - HOSE ASB - 17 (93")	1
9	400177	BEARING - FIBERGLIDE 2.06 ID X 3.25	4
10	300882	WASHER - HD 3.25 OD X 2.00 ID	2
11	301709	RING - RET EXT 2.00	2
12	317363	PIVOT - HOPPER LH ARMA PNTD	1
	307075	ASSY - LH CYLINDER MOUNT SUB	1

LIFT ARM GROUP (Cont.)

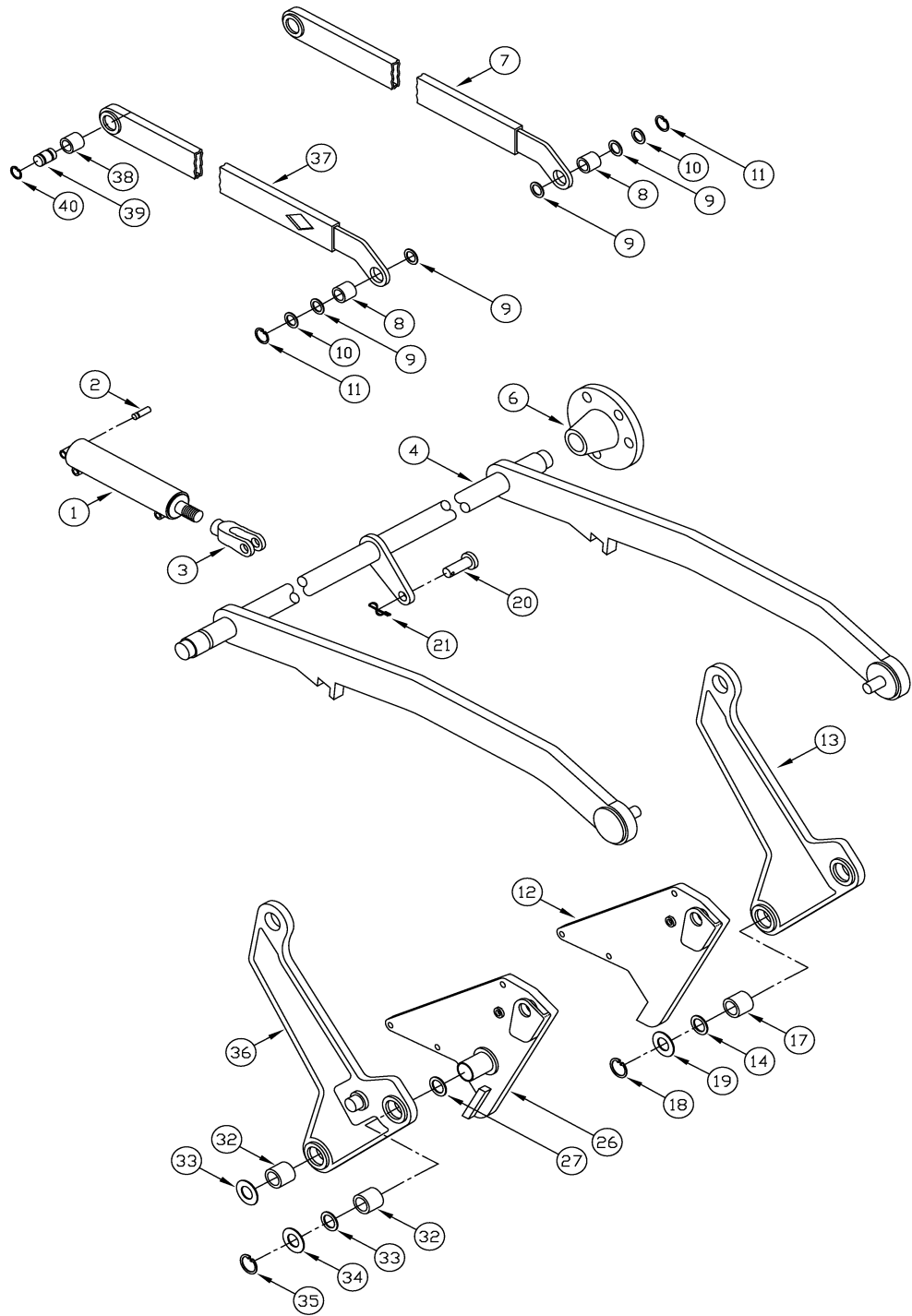


022P1001

LIFT ARM GROUP (Cont.)

REF#	PART #	DESCRIPTION	QUANTITY
13	317367	ARM - ROTATING ARMA PNTD	1
17	300840	BEARING - 2.18 OD X 2.00 ID X 1.50	4
14	400177	BEARING - FIBERGLIDE 2.06 ID X 3.25	3
15	301709	RING - RET EXT 2.00	4
16	300882	WASHER - HD 3.25 OD X 2.00 ID	4
18	400076	NUT - HEX JAM SLOTTED 1/14 ZP	2
19	300879	WASHER - HD 3.25 OD X 1.00 ID	1
20	400107	PIN - CLEVIS 1.00 X 2-5/8 ZP	1
21	400120	PIN - COTTER 5/32 X 2.00 ZP	1
	307607	PIN REAR - ROTATION CYL PLTD	2
	301998	RING - RET EXT .940	4
23	307323	CYLINDER - ROTATION SW/A PNTD	2
	400685	FTG- 6-5 C5OLO-S STRAIGHT THREAD CONN.	2
	317119	ASSY - BLOCK ROTATION SUB RH	1
24	300552	BEARING - 1 ID X 1.124 OD X 1.50	1
25	307741	ASSY - BLOCK ROTATION CYL PLTD	1
	317124	ASSY - BLOCK ROTATION SUB LH	1
24	300552	BEARING - 1 ID X 1.124 OD X 1.50	1
25	307878	ASSY - BLOCK ROTATION CYL LH PLTD	1
	400449	NUT - HEX JAM 1/2-10 ZP	2
	400306	SCREW - HHM 1/2-20 X 1.00 ZP	2
	400054	SCR - SSCP 1/4-20 X .25 LG ZP	2
	400685	FTG- 6-5 C5OLO-S STRAIGHT THREAD CONN.	2
26	317364	PIVOT - HOPPER RH ARMA	1
	301665	GROMMET - Z-2056	2
	307738	MOUNT - RTR #2 SW/A PLTD	2
	400036	SCREW - HHM 5/16-18 X .75 ZP	2
	307728	SLEEVE - ADJUSTABLE SW/A	2
	400102	WASHER - LOCK 5/16 SPLIT ZP	2
27	400177	BEARING - FIBERGLIDE 2.06 ID X 3.25	2
28	307606	PIN FRT - ROTATION CYL PLTD	2
	400076	NUT - HEX JAM SLOTTED 1/14 ZP	2
	300879	WASHER - HD 3.25 OD X 1.00 ID	2
	400177	BEARING - FIBERGLIDE 2.06 ID X 3.25	2
	307074	ASSY - RH CYLINDER MOUNT SUB	1
36	317366	ARM - ROTATING ARMA RH PNTD	1

LIFT ARM GROUP (Cont.)

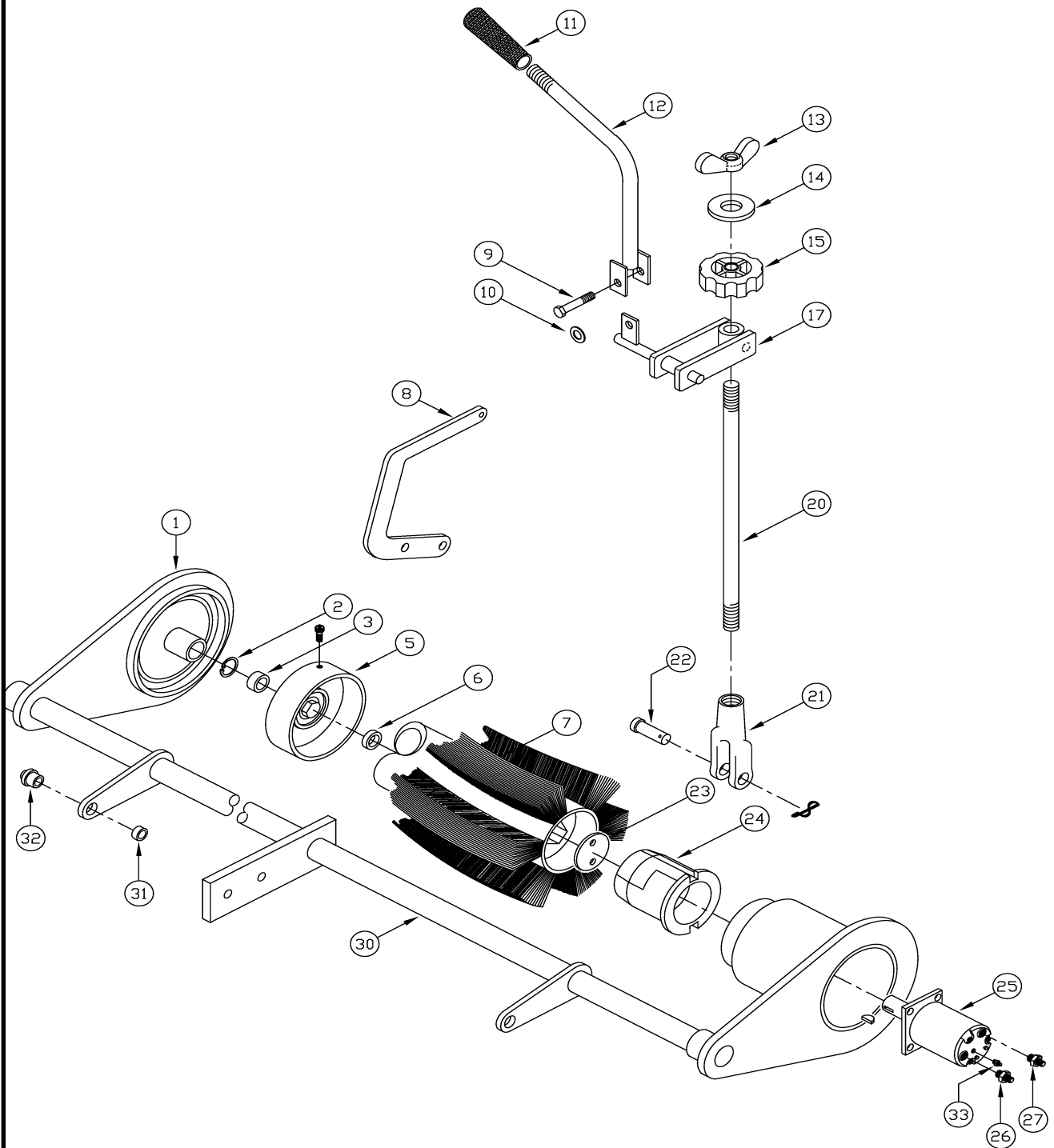


022P1001

**LIFT ARM GROUP (Cont.)**

REF#	PART #	DESCRIPTION	QUANTITY
32	300840	BEARING - 2.18 OD X 2.00 ID X 1.50	4
33	400177	BEARING - FIBERGLIDE 2.06 ID X 3.25	2
	400120	PIN - COTTER 5/32 X 2.00 ZP	1
	400071	NUT - HEX 1/4-20 ZP	1
34	300882	WASHER - HD 3.25 OD X 2.00 ID	2
35	301709	RING - RET EXT 2.00	2
39	307430	PIN - UPPER LIFT ARM PLTD SW/A	2
40	301998	RING - RET EXT .940	4
	301665	GROMMET - Z-2056	1
	400036	SCR - HHM 5/16-18 X .75 LG ZP	1
	400384	WASHER - CONICAL SPRING 5/16	2
	307431	RING - RETAINING EXT LIFT CYL	2
	400054	SCREW - SSCP 1/4-20 X .25 LG ZP	2
	400071	NUT - HEX 1/4-20 ZP	1
	400390	NUT - FLANGE LOCK 5/16-18	1
	400278	WASHER - FENDER 3/8	2

MAIN BROOM GROUP

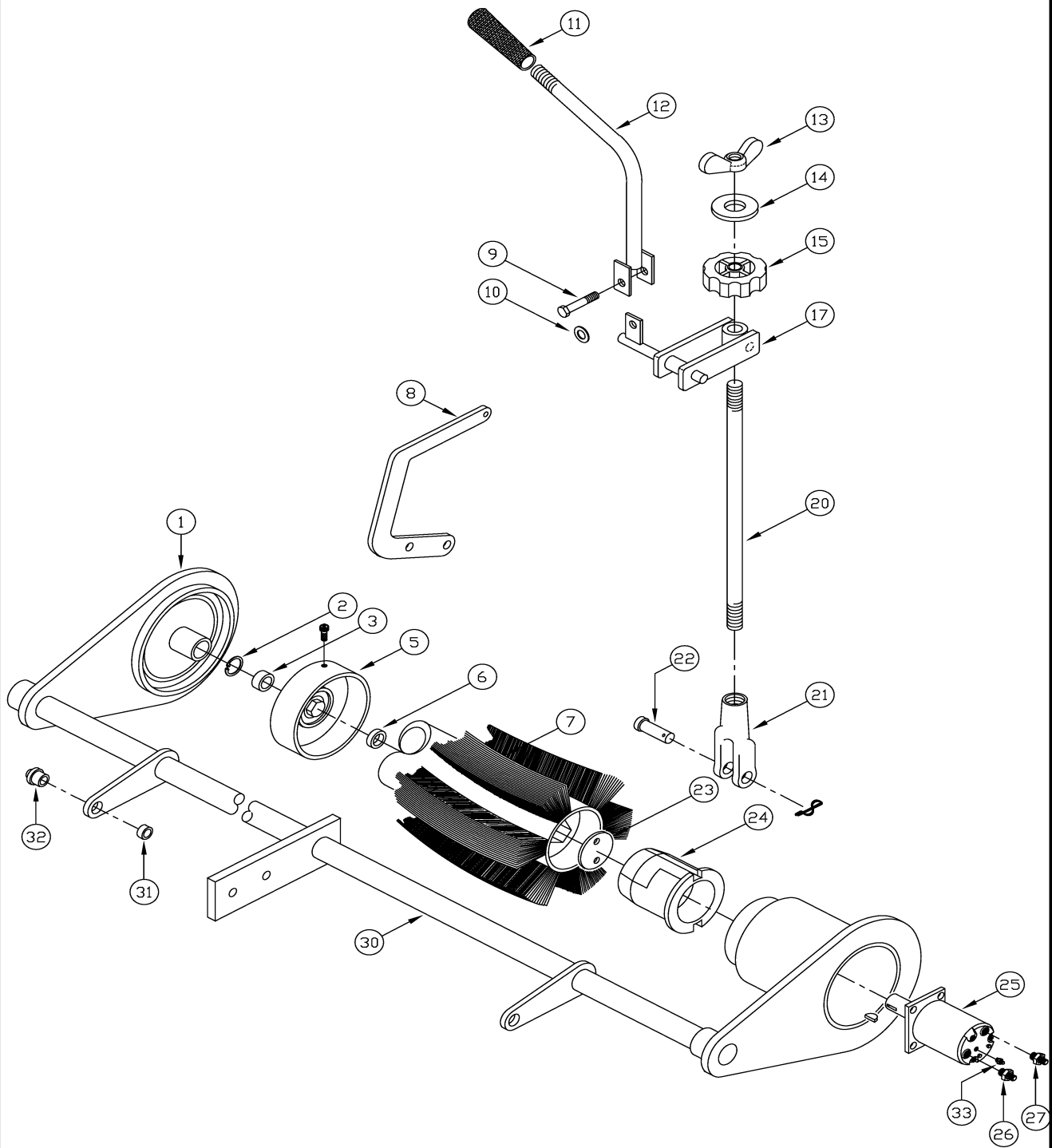


090P1001

MAIN BROOM GROUP

REF#	PART #	DESCRIPTION	QUANTITY
	350252	ASSY - MAIN BRM SUB ARMA	1
2	305666	RING - RETAINING MAIN BROOM	1
3	305667	BEARING - MAIN BROOM	1
	400047	SCREW - SHC 5/16-18 X .75 LG ZP	2
5	305642	HUB - BROOM IDLER PNTD	1
6	400091	WASHER - FENDER 1/2 ZP	1
23	301285	RETAINER - DR HUB PLTD	1
24	301050	HUB - MB DRIVE PNTD	1
	400049	SCREW - SHC 1/4-20 X .75 LG ZP	3
	400103	WASHER - LOCK 1/4 SPLIT ZP	3
25	305669	MOTOR - HYD MAIN BROOM	1
	400032	SCREW - HHM 3/8-16 X .75 LG ZP	4
	400101	WASHER - LOCK 3/8 SPLIT ZP	4
26	400692(EAT)	FTG - 8F5OLO-S STRAIGHT THREAD CONN. SEAL-10K	2
26	400689(DNF)	FTG - 8-10F5OLO-S STRAIGHT THREAD CONN. SEAL -10K	
27	400699(EAT)	FTG - 10-8F5OLO-S STRAIGHT THREAD CONN. SEAL - 10K	
27	400676(DNF)	FTG - 10F5OLO-S STRAIGHT THREAD CONN. SEAL - 10K	1
30	350101	ASSY - M BRM ARM ARMA PNTD	1
	400024	SCREW - HHM 1/2-13 X .75 LG ZP	1
	400098	WASHER - LOCK 1/2 SPLIT ZP	1
	400023	SCREW - HHM 1/2-13 X 1.00 LG ZP	1
	400086	WASHER - FLAT 1/2 STANDARD ZP	1
	400065	NUT - HEX 1/2-13 ZP	2
	400086	WASHER - FLAT 1/2 STANDARD ZP	5
	400091	WASHER - FENDER 1/2	1
	400098	WASHER - LOCK 1/2 SPLIT ZP	2
	400405	SCREW - HHM 1/2-13 X 3.00 ZP	1
1	305795	ASSY - ARM MB IDLER WB PNTD	1
7	MAIN BROOM (Choose From the Following)		1
	321123	BROOM - 56" PROEX & WIRE	1
	315722	BROOM - 56" HIGH DENSITY NYLON	1
	315723	BROOM - 56" POLY PROEX	1
	315724	BROOM - 56" NYLON	1
	315726	BROOM - 56" HERRINGBONE (PATROL-NYLON)	1
	315721	BROOM - 56" CRINKLE WIRE	1
	315725	BROOM - 56" MAIN STIFF NYLON	

MAIN BROOM GROUP (Cont.)

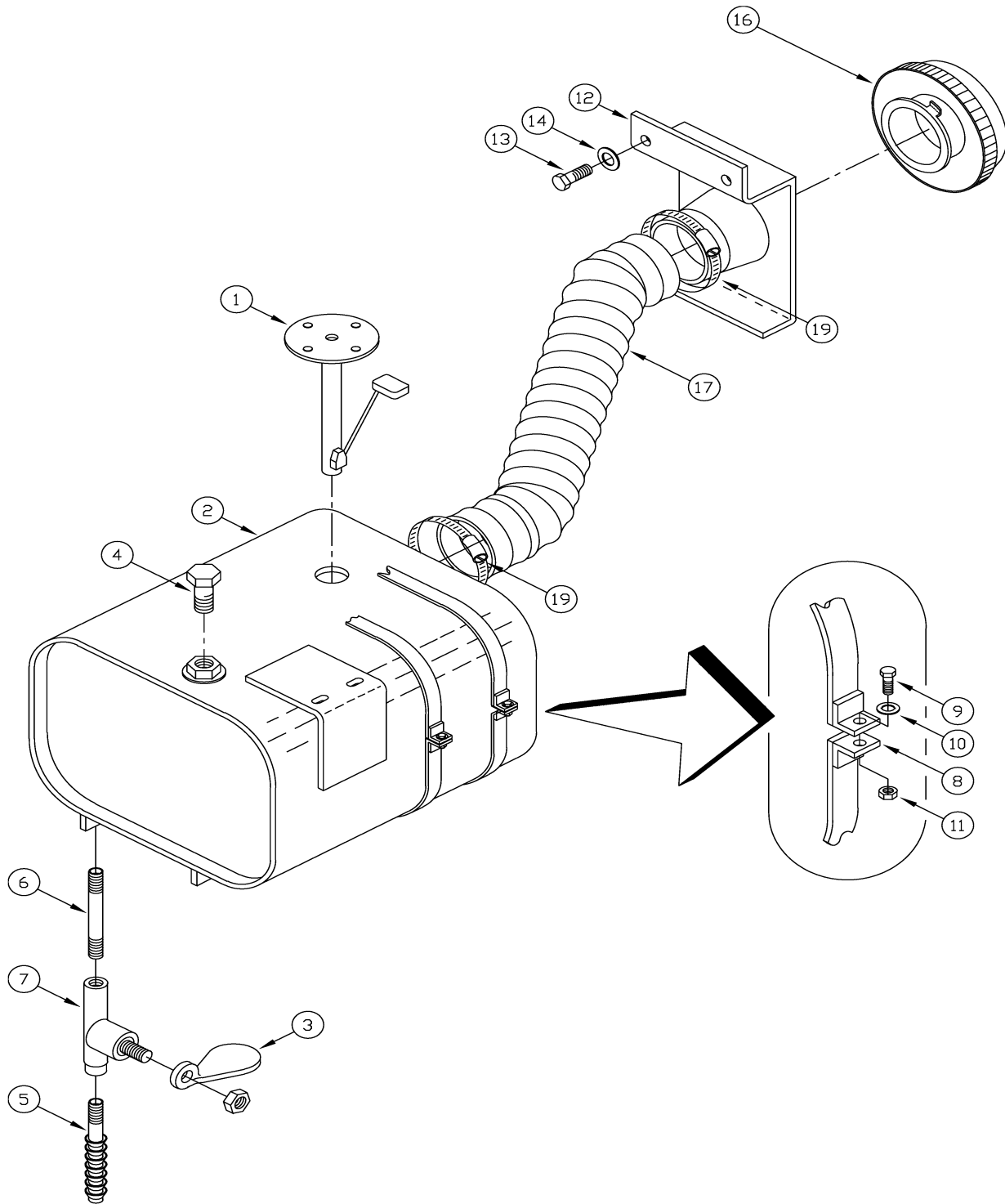


090P1001

MAIN BROOM GROUP (Cont.)

REF#	PART #	DESCRIPTION	QUANTITY
	315812	BROOM - 56" MAIN HIGH DENSITY FIBER & WIRE	
8	307214	PLT - LIFT ARM MAIN BRM PNTD	1
	400030	SCREW - HHM 3/8-16 X 1.00 LG ZP	2
	400385	WASHER - CONICAL SPRING 3/8	2
	400392	NUT - FLANGE LOCK 3/8-16	2
9	400117	PIN - CLEVIS 3/8 X 1-1/8 ZP	1
	400125	PIN - COTTER 3/8 RUE-RING	1
	400087	WASHER - FLAT 3/8 STANDARD ZP	1
10	300414	BUSHING - PLASTIC MAIN BROOM	1
11	300558	KNOB - MB CB SQ	1
12	307211	ASSY - MAIN BROOM LEVER PLTD SW/A	1
13	400084	NUT - WING 1/2-13 ZP	1
15	300352	KNOB - MB LIFT ADJ	1
	400091	WASHER - FENDER 1/2	1
	303225	RETAINER - ELEC SCRUB HEAD LIFT PLTD	1
17	307209	ASSY - PIVOT MAIN BRM ARMA PNTD	1
10	300414	BUSHING - PLASTIC MAIN BROOM	1
	400113	PIN - CLEVIS 3/8 X 5.50 ZP	1
	400125	PIN - COTTER 3/8 RUE-RING	1
	400087	WASHER - FLAT 3/8 STANDARD ZP	1
20	307213	ROD - LIFT MAIN BRM ARMA PLTD	1
	400075	NUT - HEX JAM 3/8-24 ZP	1
21	301447	CLEVIS - CABLECRAFT AC-218	1
22	400116	PIN - CLEVIS 3/8 X 1-1/4 ZP	1
	400125	PIN - COTTER 3/8 RUE-RING	1
	400087	WASHER - FLAT 3/8 STANDARD ZP	2
	307337	GASKET - MAIN BRM ARM SW/A	3
	307338	RETAINER - GASKET MB ARM SW/A PLTD	3
	400044	SCREW - HHM #10-32 X .75 LG ZP	12
	400072	NUT - HEX #10-32 ZP	12
	400104	WASHER - LOCK #10 SPLIT ZP	12
31	307181	SPACER - INNER ENG MNT TYA PLTD	2
32	300432	BUSHING - FL-52-4	2
	400067	NUT - HEX 3/8-24 ZP	2
	400262	SCREW - HHM 3/8-24 X 1.25 ZP	2

MISCELLANEOUS GROUP - GAS TANK



400PI004

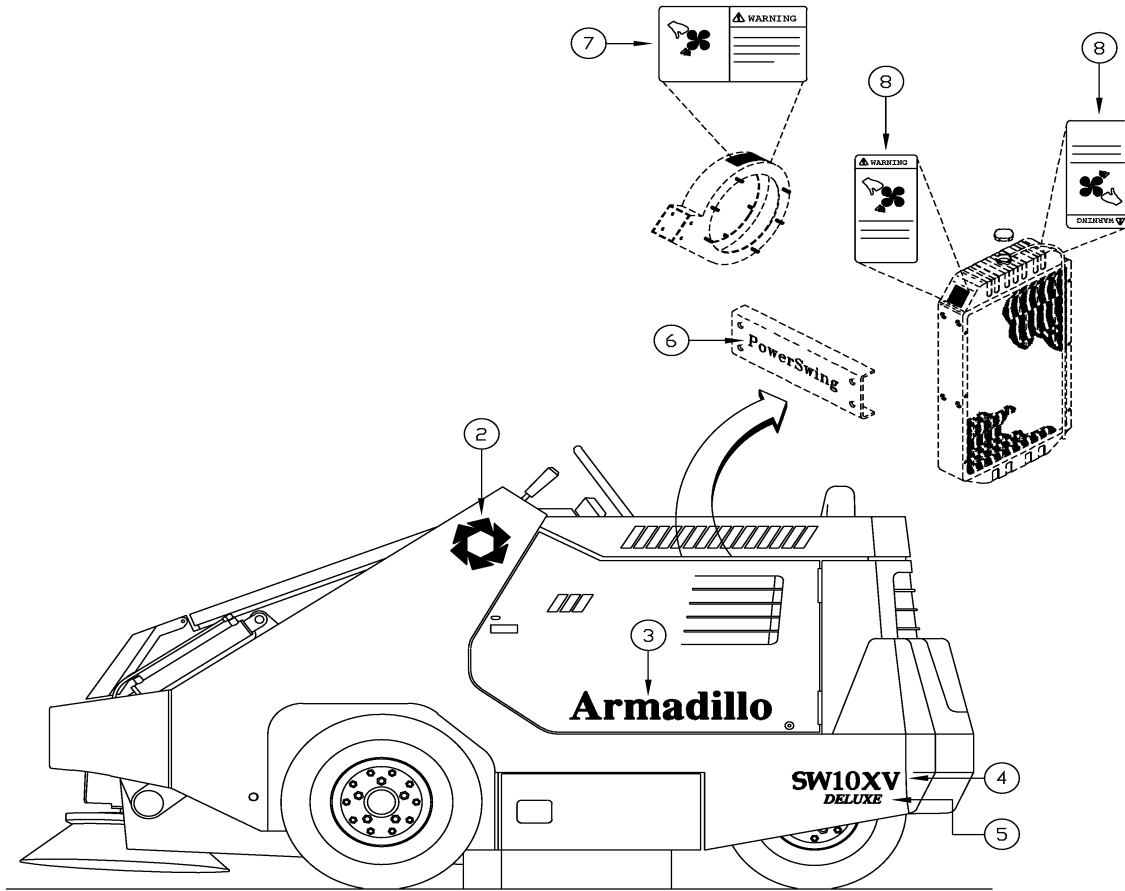
MISCELLANEOUS GROUP - GAS TANK

REF#	PART #	DESCRIPTION	QUANTITY
	307081	ASSY - GAS TANK SUB ARMA	1
Above sub-assembly contains the following items. (1 THRU 7)			
1	300388	SENDER - FUEL W/CORK GASKET	1
2	307575	TANK - FUEL SW/A	1
3	316146	HANDLE - FUEL SHUT OFF (U.L.)	1
4	400256	FTG - PIPE PLUG 1/4 MPT	1
5	400261	FTG - HOSE BARB 1/4 MPT TO 3/8	1
6	400498	FTG - NIPPLE 1/4 NPT X 2.0 BRASS	1
7	400499	VALVE - MINIATURE 1/4 FPT BALL	1
8	307731	ASSY - STRAP FUEL TANK SW/A	2
9	400173	SCREW - HEX 1/4-20 X 1.75 ZP	2
10	400383	WASHER - CONICAL 1/4	2
11	400081	NUT - HEX 1/4-20 ES ZP	2
12	307780	ASSY - FUEL CAP MOUNT SW/A PNTD	1
13	400036	SCR - HHM 5/16-18 X .75 LG ZP	2
14	400384	WASHER - CONICAL SPRING 5/16	2
16	307807	CAP - GAS TANK ARMA PNTD	1
17	307980	HOSE - FUEL FILLER 9XT	1
19	300336	CLAMP - HOSE 2 1/2 NOM SS	2
	307854	HOSE - FUEL LINE LONG TYA	1
	300417	FILTER - FUEL	1
	302338	CLAMP - HOSE .22 TO .62	1
	500137	HOSE - 1/8 ID EED/PCV	8.6 ft.

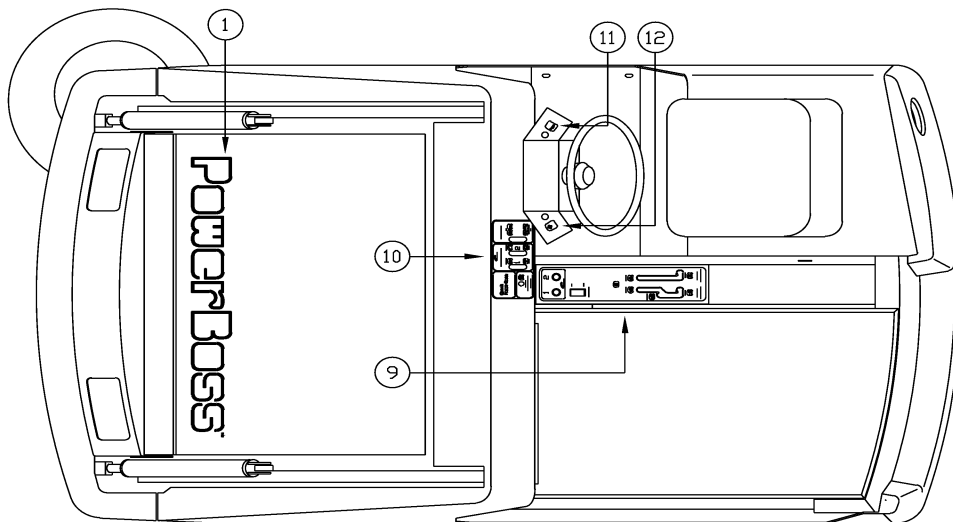
KUBOTA DIESEL ENGINE:

	307066	ASSY - GAS TANK SUB DSL ARMA	1
Above sub-assembly contains the following items. (1 THRU 7)			
1	300388	SENDER - FUEL W/CORK GASKET	1
	304622	FTG - REDUCER 1/4 MPT 1 1/8 FPT	1
2	307575	TANK - FUEL SW/A	1
	307778	FTG - 90 EL 1/8 MPT X 1/4 HOSE BARB	1
3	316146	HANDLE - FUEL SHUT OFF (U.L.)	1
4	400261	FTG - HOSE BARB 1/4 MPT TO 3/8	1
6	400498	FTG - NIPPLE 1/4 NPT X 2.0 BRASS	1
7	400499	VALVE - MINIATURE 1/4 FPT BALL	1

MISCELLANEOUS GROUP - DECALS



Left Side



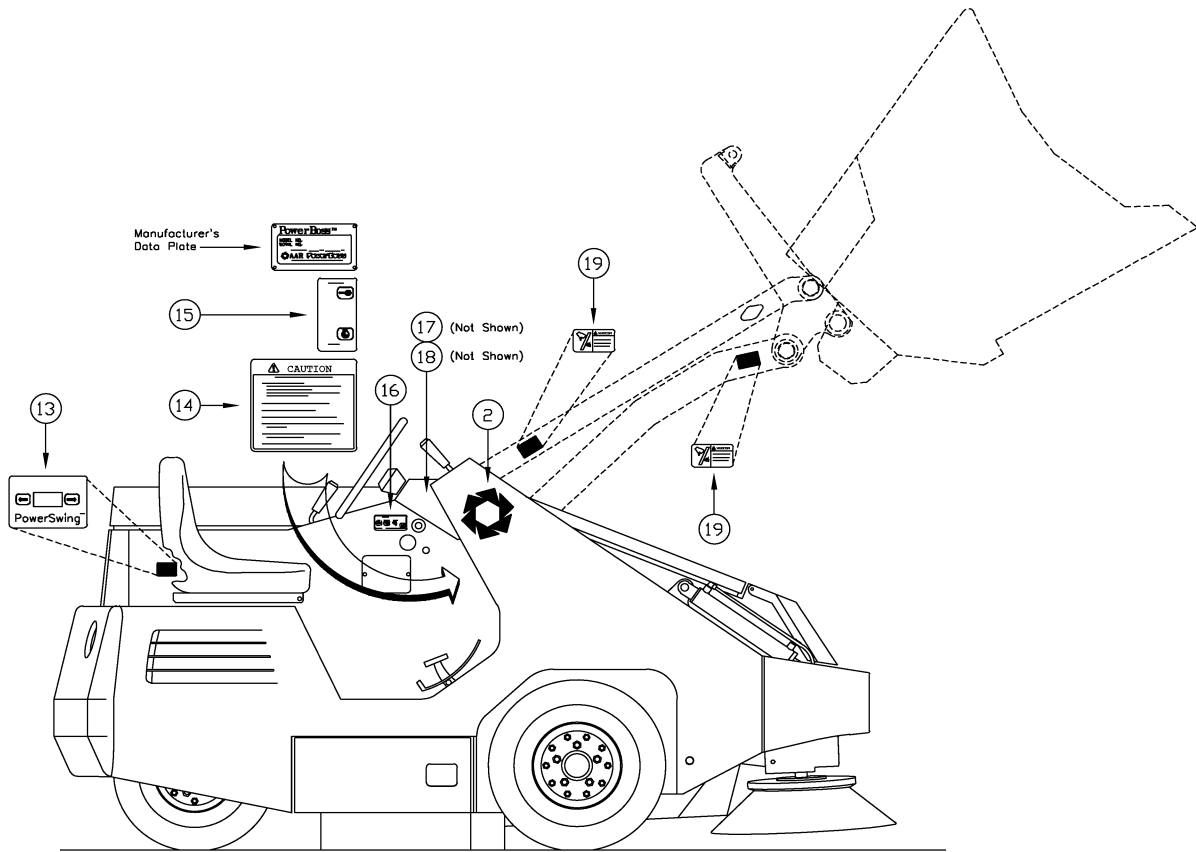
Top View

400PI001

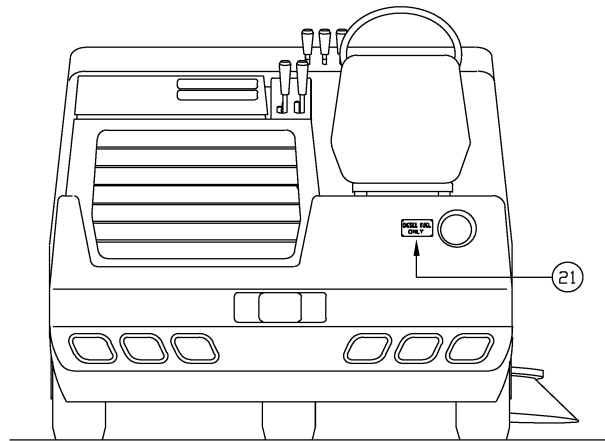
MISCELLANEOUS GROUP - DECALS

REF#	PART #	DESCRIPTION	QUANTITY
DECALS:			
1	307581	DECAL - "POWERBOSS" SW/A	1
2	307583	DECAL - "*" LOGO ARMA	2
3	307813	DECAL - "ARMADILLO"	1
4	350175	DECAL - "SW/10XV"	1
5	318211	DECAL - "DELUXE"	1
6	307814	DECAL - "POWERSWING"	1
7	301729	DECAL - WARNING FAN INLET (IMP)	1
8	301733	DECAL - WARNING FAN (RAD SHROUD)	2
9	307591	DECAL - SIDE PANEL SW/A	1
10	307594	DECAL - FRONT PANEL SW/A	1
11	302525	DECAL - HORN	1
12	302520	DECAL - FILTER SHAKER	1
13	317949	DECAL - POWERSWING	1
14	301854	DECAL - CAUTION	1
15	307599	DECAL - IGNITION SW/A	1
16	307597	DECAL - THROTTLE SW/A	1
17	302518	DECAL - DIRTY FILTER OPTION	1
18	302521	DECAL - FIRE OPTION (HOPPER)	1
19	301732	DECAL - WARNING HOPPER ARMS	4
21	306881	DECAL - "DIESEL FUEL ONLY"	1
	302332	PAD - VAC & BLOWER WAND LG	1
	307588	FLOOR MAT - LARGE SW/A	1
	307587	FLOOR MAT - SMALL SW/A	1

MISCELLANEOUS GROUP - DECALS



Right Side



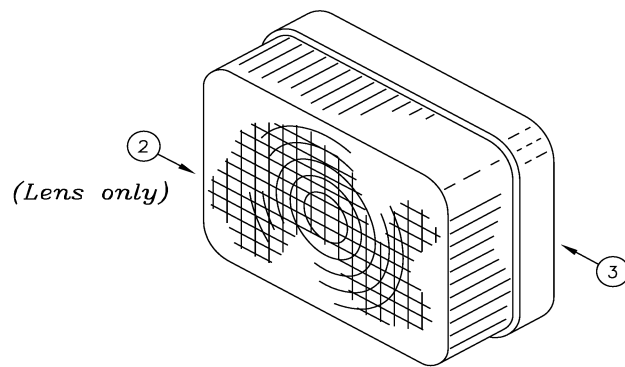
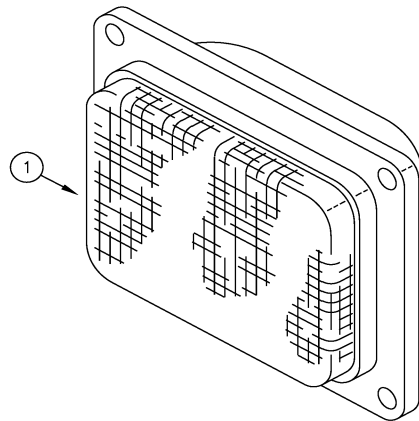
Rear View

400P1002

MISCELLANEOUS GROUP - DECALS

REF#	PART #	DESCRIPTION	QUANTITY
DECALS:			
1	307581	DECAL - "POWERBOSS" SW/A	1
2	307583	DECAL - "*" LOGO ARMA	2
3	307813	DECAL - "ARMADILLO"	1
4	350175	DECAL - "SW/10XV"	1
5	318211	DECAL - "DELUXE"	1
6	307814	DECAL - "POWERSWING"	1
7	301729	DECAL - WARNING FAN INLET (IMP)	1
8	301733	DECAL - WARNING FAN (RAD SHROUD)	2
9	307591	DECAL - SIDE PANEL SW/A	1
10	307594	DECAL - FRONT PANEL SW/A	1
11	302525	DECAL - HORN	1
12	302520	DECAL - FILTER SHAKER	1
13	317949	DECAL - POWERSWING	1
14	301854	DECAL - CAUTION	1
15	307599	DECAL - IGNITION SW/A	1
16	307597	DECAL - THROTTLE SW/A	1
17	302518	DECAL - DIRTY FILTER OPTION	1
18	302521	DECAL - FIRE OPTION (HOPPER)	1
19	301732	DECAL - WARNING HOPPER ARMS	4
21	306881	DECAL - "DIESEL FUEL ONLY"	1
	302332	PAD - VAC & BLOWER WAND LG	1
	307588	FLOOR MAT - LARGE SW/A	1
	307587	FLOOR MAT - SMALL SW/A	1

MISCELLANEOUS GROUP - LIGHTS

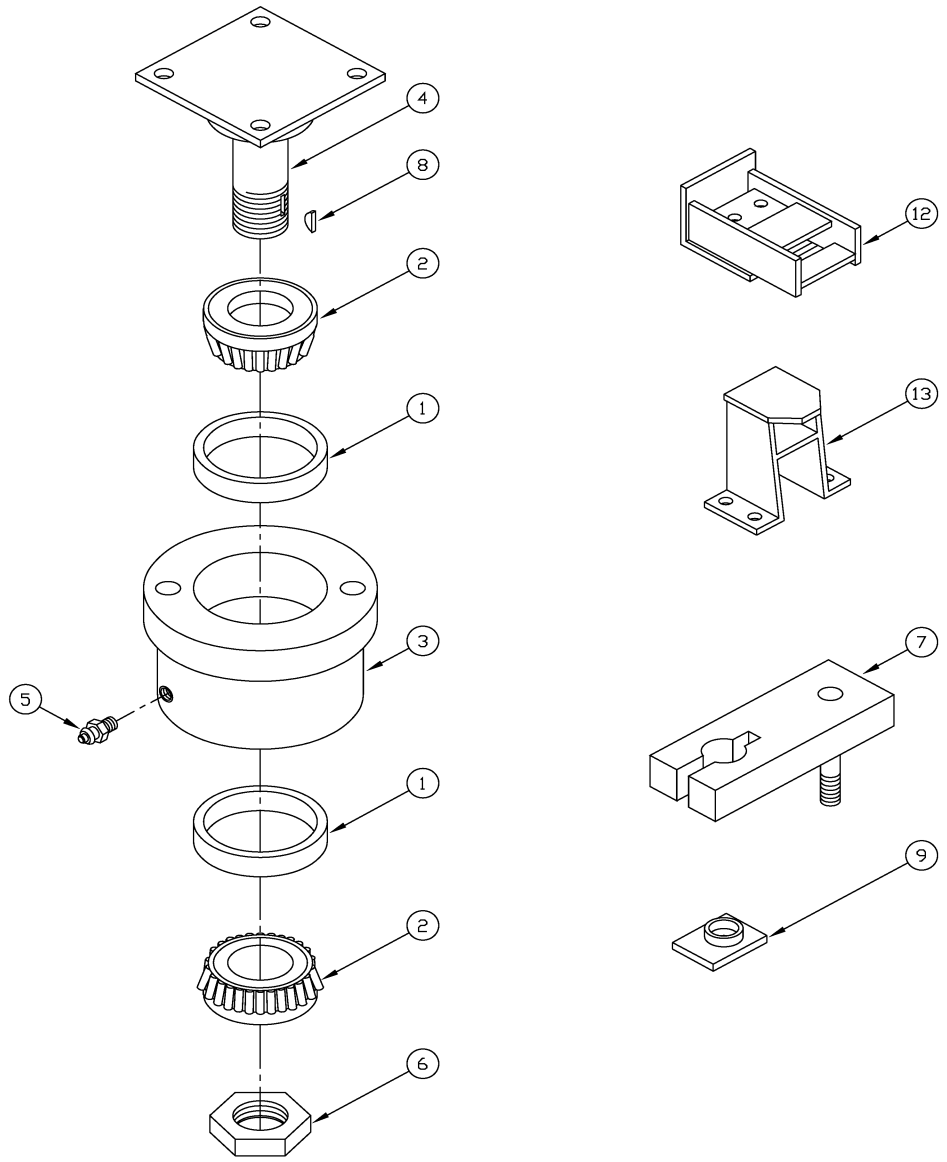


400PI003

MISCELLANEOUS GROUP - LIGHTS

REF#	PART #	DESCRIPTION	QUANTITY
	317122	ASSY - TAIL LIGHT SUB SW/9X	2
Above sub-assembly contains the following items. (1 THRU 6)			
	301358	TIE - WIRE	1
	302462	TERMINAL - MALE SNAP PLUG	2
	302472	MOUNT - WIRE TIE LOW PROFILE	1
3	303204	LIGHT - TAIL 1 COMBINATION	1
	307811	BRKT - TAIL LIGHT SW/A PNTD	1
	400484	RIVET AVDEL 3/16 X .602	1
2	303479	LENS - LT TAIL/COMB. (SP)	1
	400035	SCREW - HEX 5/16-18 X 1.0 ZP	1 PER
	400273	WASHER - STAR 5/16 ZP INT TEETH	1 PER
	400390	NUT - FLANGE LOCK 5/16-18 ZP	1 PER
	400384	WASHER - CONICAL SPRING 5/16	1 PER
	301358	TIE - WIRE	9
	302776	MOUNT - WIRE TIE LARGE	8
HEADLIGHTS require the following items & are installed in the hopper lid.			
	301358	TIE - WIRE	2
1	315839	HEADLIGHT - FLUSH MOUNT TYPE C	2
	315331	WIRING HARNESS - HEADLIGHT	1
	302033	WIRING HARNESS - HD GROUP	1
	302776	MOUNT - WIRE TIE LARGE	2
	400044	SCREW - HEX #10-32 X .75 ZP	8

POWERSWING™ GROUP

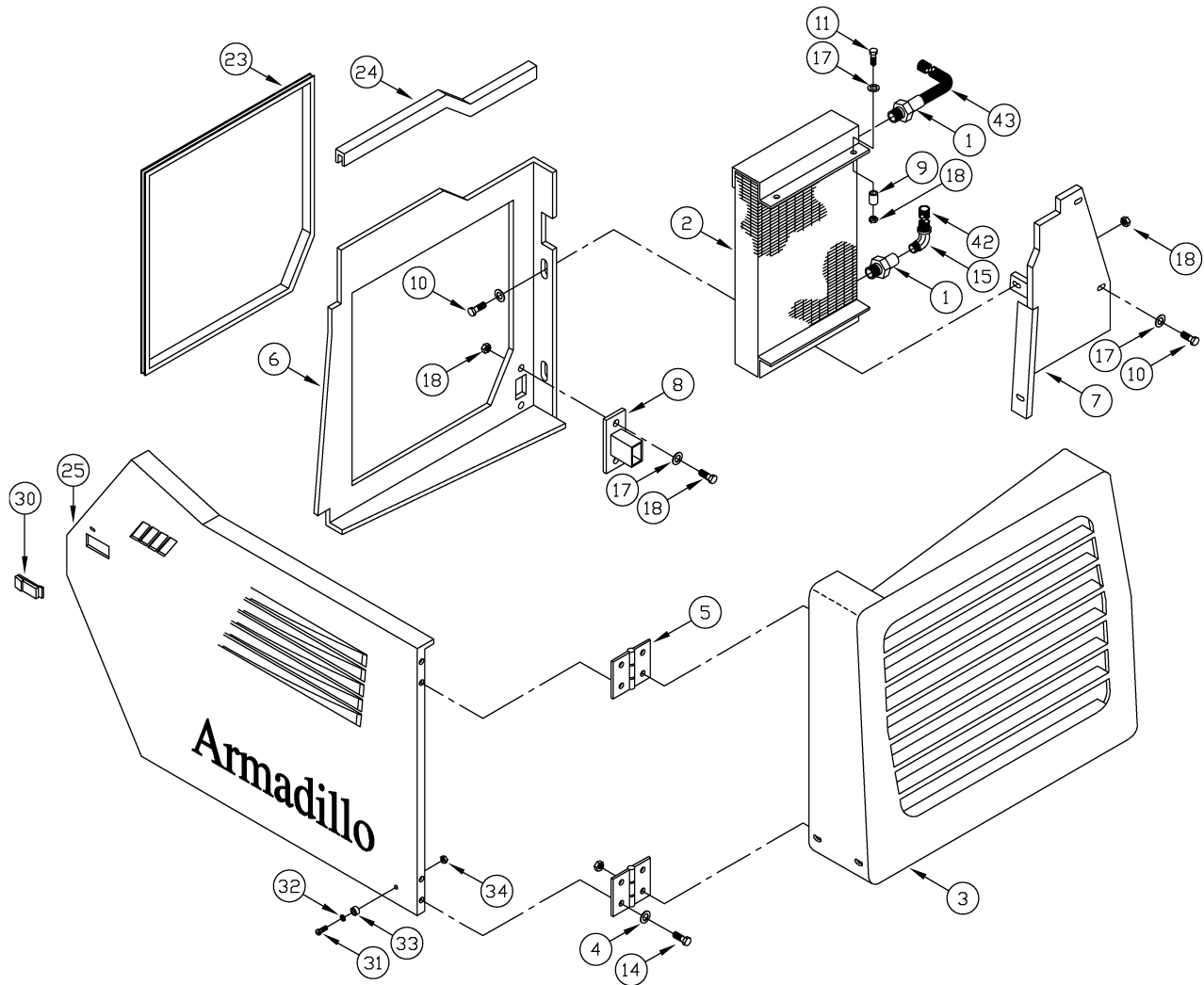


400P1005

POWERSWING™ GROUP

REF#	PART #	DESCRIPTION	QUANTITY
	307014	ASSY - ENGINE PIVOT SUB ARMA PLTD	1
Above sub-assembly contains the following items. (1 THRU 6)			
1	300470	BEARING - TAPERED ROL CUP	2
2	300471	BEARING - TAPERED ROLCONE W/SEAL	2
3	307326	BRG MNT - ENG PIVOT SW/A PNTD	1
4	307327	ASSY - ENG PIVOT PLT SW/A PNTD	1
5	400012	FTG - GREASE 3/16	1
	400029	SCREW - HEX 3/8-16 X 1.25 ZP	1
	400075	NUT - HEX JAM 3/8-24 ZP	4
	400079	NUT - HEX 3/8-16 ES ZP	4
6	400083	NUT - HEX JAM 1 1/4-12 ES ZP	1
	400186	SCREW - HEX 3/8-24 X 1.00 ZP	4
	400038	SCR - HHM 5/16-18 X 2.25 LG ZP	1
	400080	NUT - HEX 5/16-18 ES ZP	1
7	307371	ASSY - ENG SWING ARM SW/A PNTD	1
8	307640	KEY - ENGINE SWING ARM SW/A	1
	400435	WASHER - LOCK 3/4 SPLIT ZP	1
9	400423	NUT - HEX 3/4-16 ZP	1
	307374	ACTUATOR - ENGINE SWING SW/A	1
	302207	RING - RET EXT .50	1
	307841	SPACER - ACTUATOR ENGINE PNTD	1
	400405	SCR - HHM 1/2-13 X 3.00 ZP	1
	400078	NUT - HEX 1/2-13 ES ZP	1
	400065	NUT - HEX 1/2-13 ZP	1
	307590	SWITCH - ENGINE INTERLOCK SW/A	1
	400428	SCREW - PAN #6-32 X 1.0 SLT ZP	2
	400299	NUT - HEX #6-32 ZP	2
	307553	SWITCH - ROCKER ENG SWING SW/A	1
12	307362	ASSY - ENG CATCH INNER SW/A PNTD	1
	400030	SCREW - HEX 3/8-16 X 1.0 LG ZP	2
	400385	WASHER - CONICAL SPRING 3/8	2
	400392	NUT - FLANGE LOCK 3/8-16	2
13	307357	ASSY - ENG CATCH OUTER SW/A PNTD	1
	400035	SCREW - HEX 5/16-18 X 1.0 ZP	4
	400102	WASHER - LOCK 5/16 SPLIT ZP	4
	400070	NUT - HEX 5/16-18 ZP	4

RADIATOR GUARD GROUP

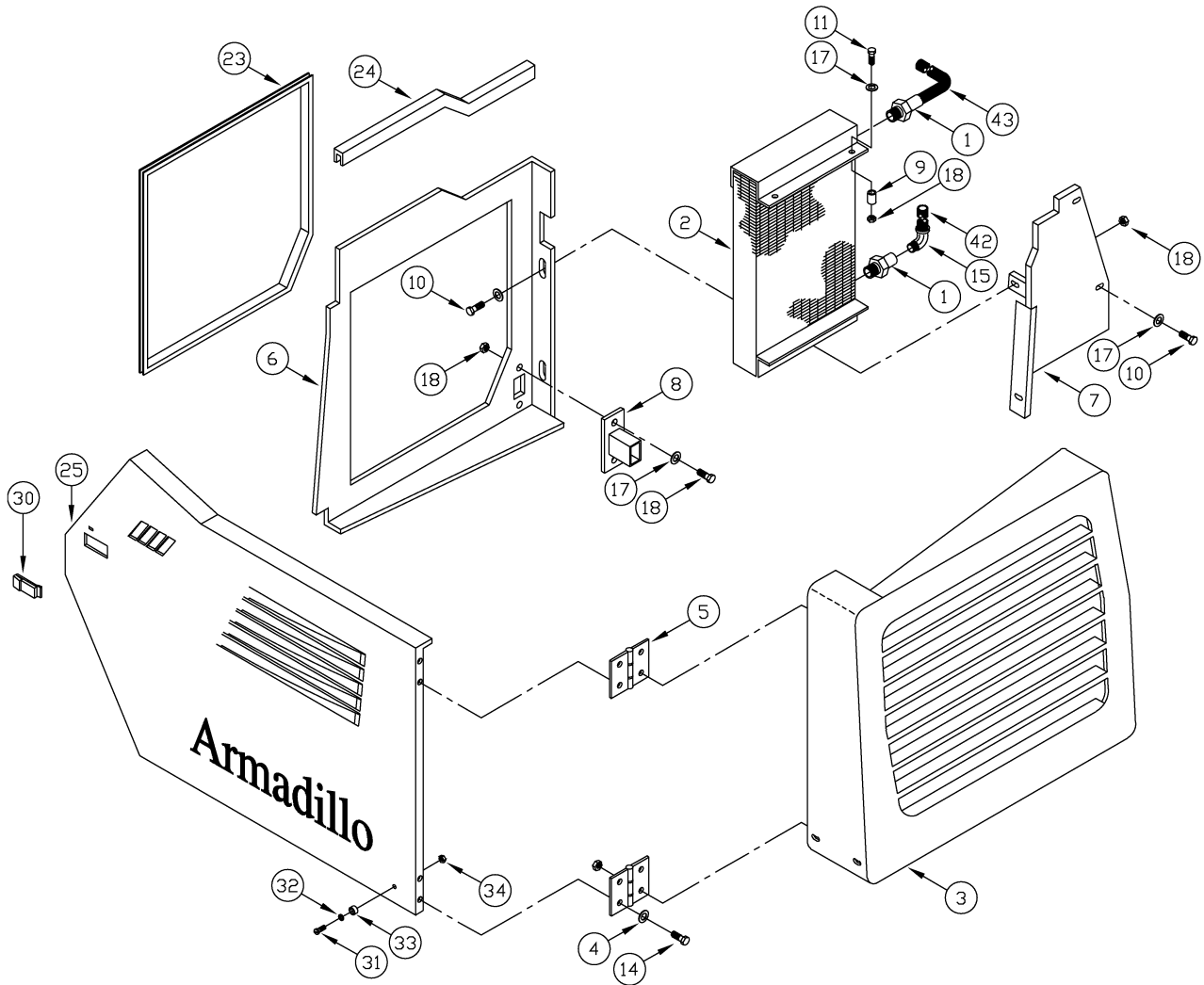


011PI001

RADIATOR GUARD GROUP

REF#	PART #	DESCRIPTION	QUANTITY
	350260	ASSY - GUARD RADIATOR SUB 9XT	1
Above sub-assembly contains the following items. (1 THRU 26)			
1	400693	FTG - 8 -8FLO -S MALE PIPE CONN	2
2	306740	COOLER - OIL HYD IMPELLER	1
3	350125	ASSY - RADIATOR GUARD SW/A PNTD	1
4	307513	HINGE - SIDE DOOR SW/A PNTD	2
5	307560	SPACER - SIDE DOOR SW/A PNTD	1
6	307647	BAFFLE - RADIATOR SW/A PNTD	1
7	321181	PLATE - COIL MOUNT SW/A PNTD	1
8	307888	ASSY - EXHAUST EXT SW/A PNTD	1
9	309084	SPACER - OIL COOLER	2
10	400036	SCREW - HEX 5/16-18 X .75 ZP	4
11	400038	SCREW - HEX 5/16-18 X 2.25 ZP	2
	400042	SCREW - HEX 1/4-20 X .75 ZP	4
	400063	NUT - FLANGE LOCK 1/4-20 ZP	4
14	400148	SCREW - TRS 5/16-18 X .5 SLT ZP	4
15	400701	FTG - 8C6LO-S SWIVEL NUT ELBOW	1
	400383	WASHER - CONICAL SPRING 1/4	4
17	400384	WASHER - CONICAL SPRING 5/16	6
18	400390	NUT - FLANGE LOCK 5/16-18	6
	400391	NUT - FLANGE LOCK 5/16-24	4
	400036	SCR - HHM 5/16-18 X .75 LG ZP	5
	400384	WASHER - CONICAL SPRING 5/16	5
	400390	NUT - FLANGE LOCK 5/16-18	5
23	500198	SEAL - TRIM FOR CAB (SD-109) "U"	5'8"
24	500199	SEAL - TRIM FOR CAB (SD-168) "C"	20.25"
25	307510	ASSY - SIDE DOOR SW/A PNTD	1
	400148	SCR - THM 5/16-18 X .50 ZP	8
	400391	NUT - FLANGE LOCK 5/16-24	8
30	300380	LATCH ASSY. #C2-10-301-50	1
31	400036	SCR - HHM 5/16-18 X .75 LG ZP	1
32	400088	WASHER - FLAT 5/16 STANDARD ZP	1
33	302482	BUMPER - SEAT MOUNT	1
34	400080	NUT - HEX 5/16-18 ES ZP	1
	307529	ASSY - DOOR STRIKE SW/A PNTD	2
	400405	SCR - HHM 1/2-13 X 3.00 ZP	2

RADIATOR GUARD GROUP (Cont.)

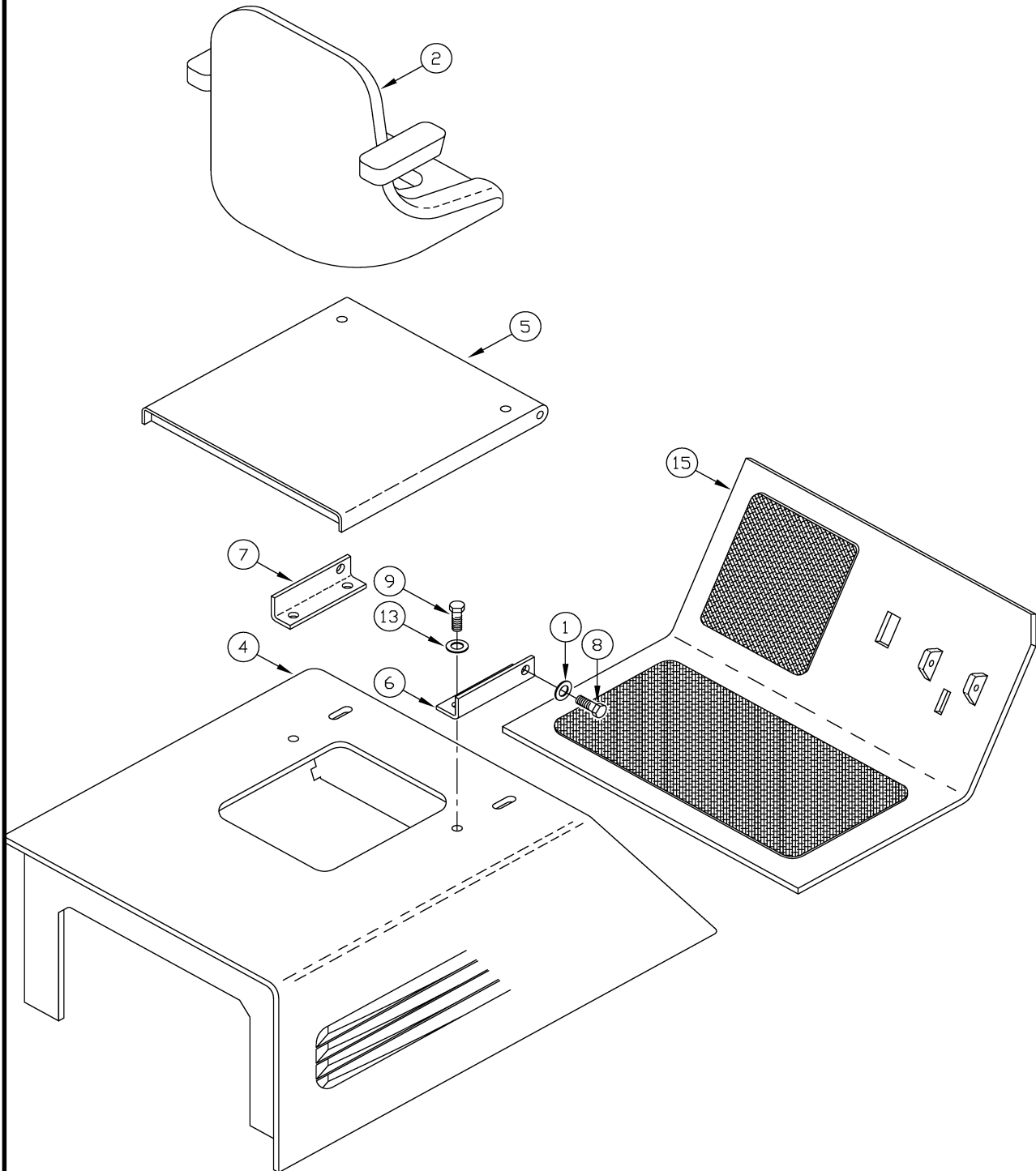


011PI001

RADIATOR GUARD GROUP (Cont.)

REF#	PART #	DESCRIPTION	QUANTITY
	400262	SCR - HHM 3/8-24 X 1.25 ZP	2
	400086	WASHER - FLAT 1/2 STANDARD ZP	4
	400098	WASHER - LOCK 1/2 SPLIT ZP	2
	400065	NUT - HEX 1/2-13 ZP	2
	400067	NUT - HEX 3/8-24 ZP	2
42	350237	HOSE - 5/8 HT 16.75 ST#10 90S#10	1
43	350237	HOSE - 5/8 HT 16.75 ST#10 90S# 10	1

REAR COVER/SEAT GROUP

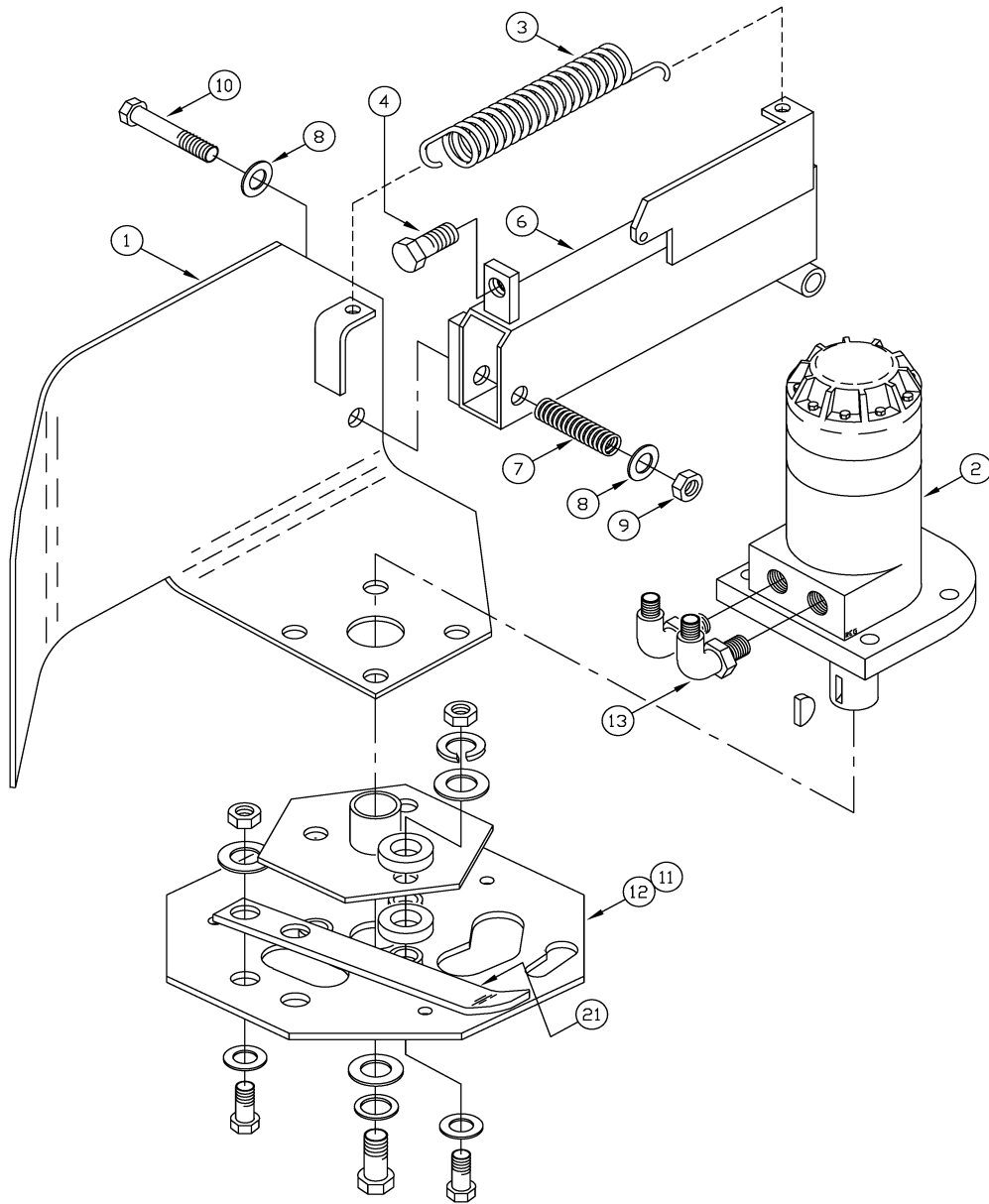


050P1001

REAR COVER/SEAT GROUP

REF#	PART #	DESCRIPTION	QUANTITY
	317168	ASSY - SEAT CLIP SUB SW/9XT	1
1	300339	SLEEVE - SQ & FWD/REV	2
2	300406	ASSY - SEAT MICHIGAN W/ARMREST	1
	302482	BUMPER - SEAT MOUNT	2
4	307290	ASSY - SEAT CLIP SW/A PNTD	1
5	307416	ASSY - SEAT MOUNT (STD) PNTD	1
6	307419	PIVOT RH - SEAT MOUNT PNTD SW/A	1
7	307420	PIVOT LH - SEAT MOUNT PNTD SW/A	1
8	400029	SCREW - HEX 3/8-16 X 1.25 ZP	2
9	400036	SCREW - HEX 5/16-18 X .75 ZP	10
	400079	NUT - HEX 3/8-16 ES ZP	2
13	400384	WASHER - CONICAL SPRING 5/16	8
	400390	NUT - FLANGE LOCK 5/16-18	4
15	307302	ASSY - FLOOR PAN SW/A PNTD	1
	400009	SCR - CSN 5/16-18 X 1.00 LG ZP	3
	400384	WASHER - CONICAL SPRING 5/16	3
	400390	NUT - FLANGE LOCK 5/16-18	3
	307587	FLOOR MAT - SMALL SW/A	1
	307588	FLOOR MAT - LARGE SW/A	1
	307590	SWITCH - ENGINE INTERLOCK SW/A	1
	400428	SCR - PHM #6-32 X 1.00 LG ZP	2
	400299	NUT - HEX #6-32 ZP	2
	307553	SWITCH - ENG SWING ARMA	1

SIDE BROOM GROUP

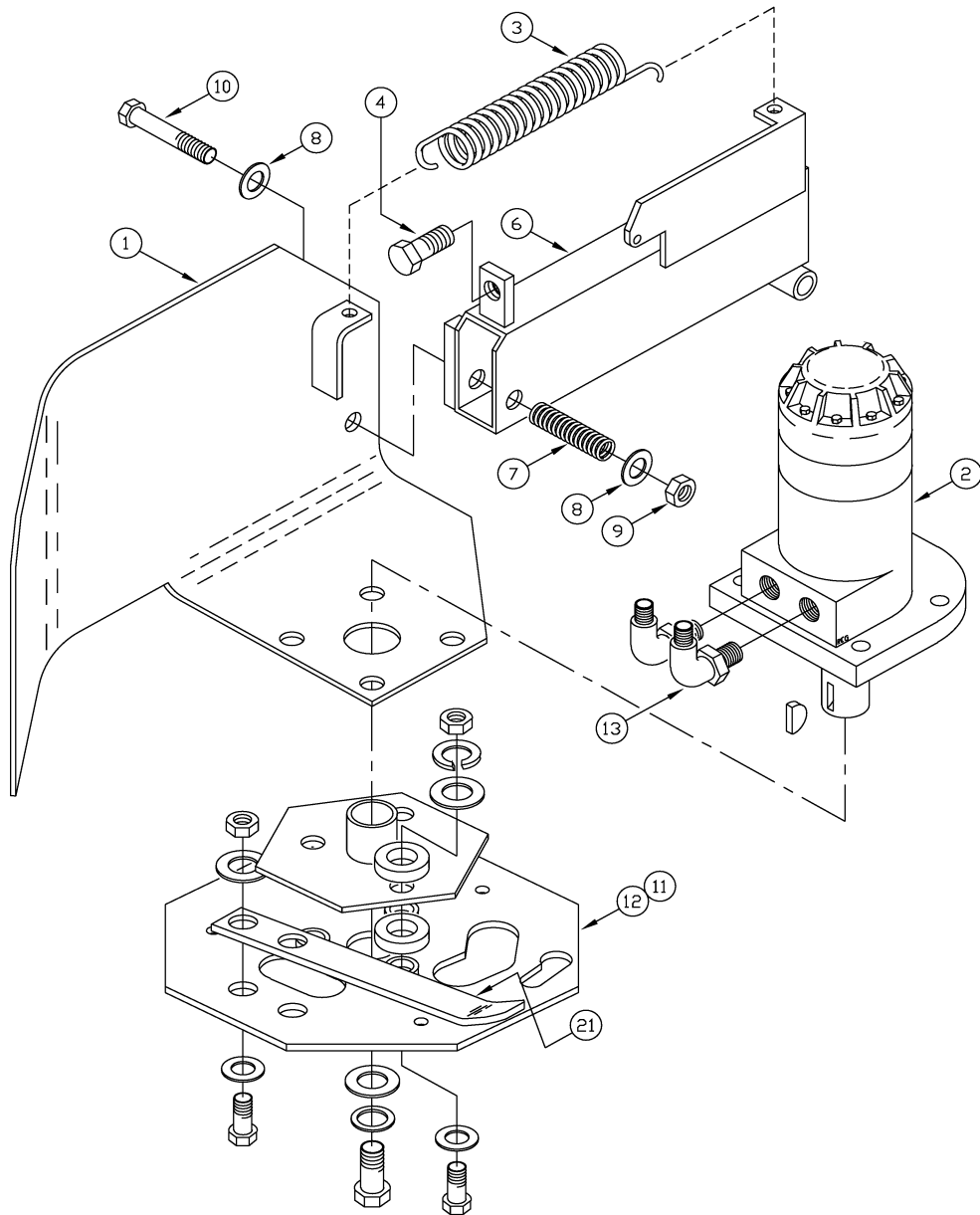


091PI001

SIDE BROOM GROUP

REF#	PART #	DESCRIPTION	QUANTITY
	307033	ASSY - CURB BROOM SUB ARMA	1
1	307654	ASSY - SIDE BROOM MOUNT PNTD	1
2	301560	MOTOR - HYD CURB BRM PNTD	1
	400032	SCREW - HHM 3/8-16 X .75 LG ZP	4
	400101	WASHER - LOCK 3/8 SPLIT ZP	4
3	302599	SPRING - EXT LOOPS-IN-LINE ZP	1
4	400068	NUT - HEX 3/8-16 ZP	1
	400029	SCREW - HHM 3/8-16 X 1.25 LG ZP	1
6	307527	ASSY - CURB BROOM ARM PNTD	1
7	306179	SPRING - CURB BROOM SW/71	1
8	400087	WASHER - FLAT 3/8 STANDARD ZP	2
9	400342	NUT - HEX 3/8-24 ES ZP	1
10	400258	SCREW - HHM 3/8-24 X 4.00 ZP	1
11	301474	ASSY - DRIVE SCRUB BRUSH CB SUB	1
	300465	MOUNT - ISOLATION	3
	300875	ASSY - DR HUB SC BR PNTD	1
12	301262	PLATE - GIMBAL SC HD PNTD	1
21	302058	RETAINER - BRUSH	1
	400028	SCREW - HHM 3/8-16 X 1.50 LG ZP	3
	400042	SCREW - HHM 1/4-20 X .75 LG ZP	2
	400068	NUT - HEX 3/8-16 ZP	3
	400081	NUT - HEX 1/4-20 ES ZP	2
	400101	WASHER - LOCK 3/8 SPLIT ZP	3
	400278	WASHER - FENDER 3/8	9
13	400155	FTG - 90 7/8-14 TO #8	2
	400049	SCREW - SHC 1/4-20 X .75 LG ZP	1
	400103	WASHER - LOCK 1/4 SPLIT ZP	1
	307794	PIN - CLEVIS 1/2 X 4 1/2 ZP	1
	400086	WASHER - FLAT 1/2 STANDARD ZP	1
	400124	PIN - COTTER 5/8 RUE-RING	1
	400053	SCREW - SSCP 1/2-20 X 1.75 LG ZP	1
	400064	NUT - HEX 1/2-20 ZP	1
	307678	HOSE - HYD VLV #18 TOP OF TEE	1
	307667	HOSE - HYD CB INNER PORT TO VLV	1
	307868	CABLE - SIDE BROOM SW/A	1
	400118	PIN - CLEVIS 5/16 X 7/8 ZP	1
	400088	WASHER - FLAT 5/16 STANDARD ZP	1

SIDE BROOM GROUP (Cont.)

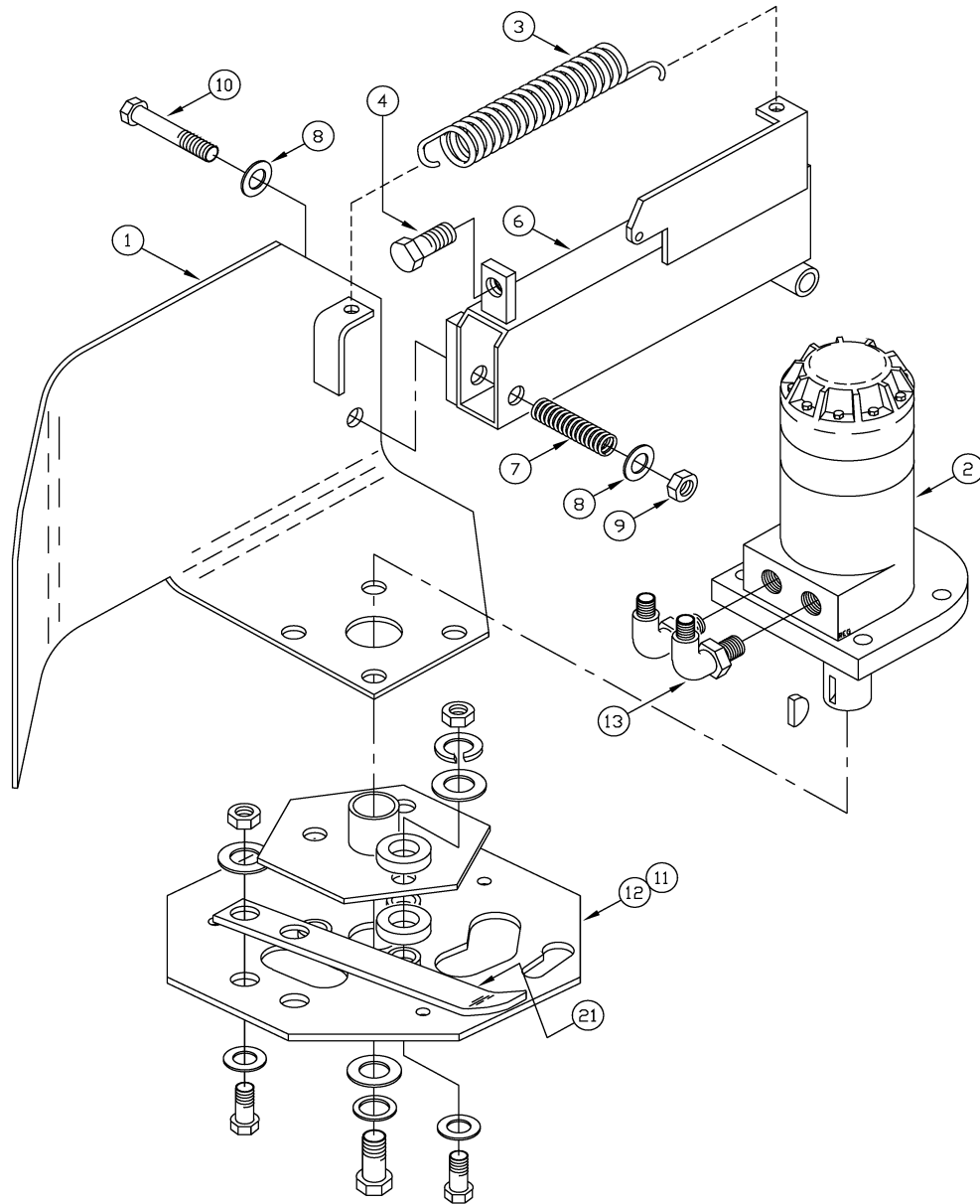


091P1001

SIDE BROOM GROUP (Cont.)

REF#	PART #	DESCRIPTION	QUANTITY
	400125	PIN - COTTER 3/8 RUE-RING	1
	300368	PULLEY - PLASTIC	3
	400069	NUT - HEX 5/16-24 ZP	1
	307642	CLEVIS -5/16 PLTD SW/A	1
	400184	PIN - CLEVIS 5/16 X 1 1/8 ZP	3
	400088	WASHER - FLAT 5/16 STANDARD ZP	6
	400125	PIN - COTTER 3/8 RUE-RING	3
	400227	SCREW - HHM 1/4 -20 X 1.25 ZP	1
	400040	SCREW - HHM 1/4-20 X 1.00 LG ZP	2
	400081	NUT - HEX 1/4-20 ES ZP	3
	307877	VALVE - CURB BROOM SPEED CONTROL	1
	400264	FTG - MALE CONNECTOR 9/16 TO #4	2
	302408	FTG - REDUCER TUBE END 8 - 4	2
	302409	FTG - NUT #8 BTX-5	2
	400245	FTG - SWIVEL 90 EL #4 JIC	2
	400328	FTG - TEE UNION 1/2	2
	307896	HOSE - HYD ASSY CB VLV / TEES	1
	307885	JACKET - HOSE NYLON	1
	307879	HOSE - HYD SB SPEED CONTROL / TEE	1
	307880	HOSE - HYD SB SPEED CONTROL / TEE	1
	300526	BUMPER - RUBBER 1/4 ID X 1/8 THK	2
	307876	MNT - VLV CB SPEED CTRL PNTD	1
	400042	SCREW - HHM 1/4-20 X .75 ZP	2
	400383	WASHER - CONICAL SPRING 1/4	2
	400063	NUT - FLANGE LOCK 1/4-20 ZP	2
	307897	HOSE - HYD ASSY CTRL VLV / CB TEES	1
	307883	JACKET - HOSE NYLON	1
	307881	HOSE - CTRL VALVE / SB TEES	1
	307882	HOSE - CTRL VALVE / SB TEES	1
	307898	HOSE - HYD ASSY CB MOTOR TEES	1
	307884	JACKET - HOSE NYLON	1
	300604	HOSE - HYD FILTER / RESERVOIR	2
	302493	TIE - WIRE BLACK	1
	302267	TIE - WIRE 8.00 IN.	4
	301358	TIE - WIRE	2
	305398	CLIP- HYD HOSE MS TOYOTA PLTD	1

SIDE BROOM GROUP (Cont.)

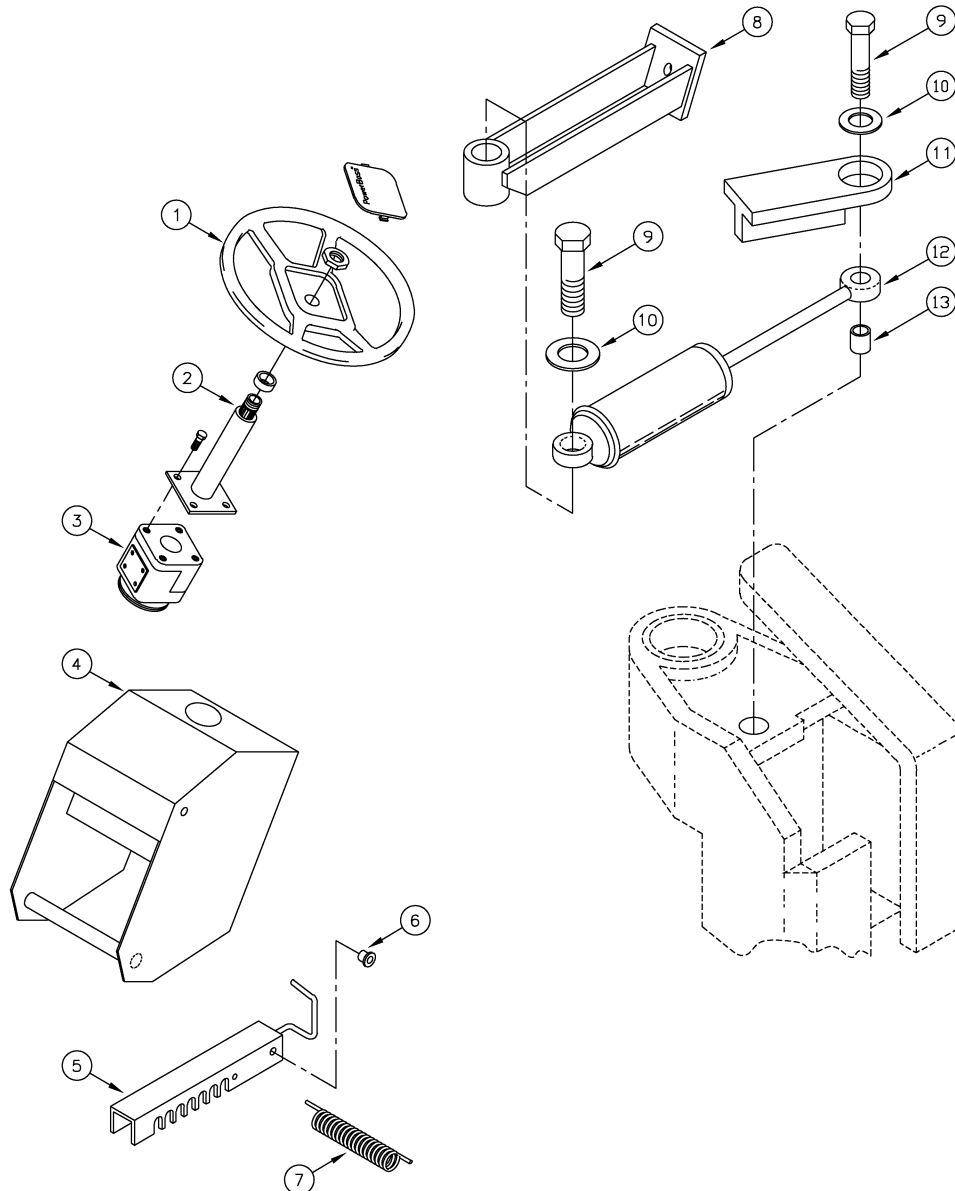


091PI001

SIDE BROOM GROUP (Cont.)

REF#	PART #	DESCRIPTION	QUANTITY
	400173	SCR - HHM 1/4-20 X 1.75 ZP	1
	400081	NUT - HEX 1/4-20 ES ZP	1
Replacement Side (or Curb) Brooms:			
	300306	24" Poly Side Broom (Comes Standard on Machine)	
	300307	26" Poly Side Broom	
	300308	24" Nylon Side Broom	
	300309	26" Nylon Side Broom	
	300311	26" Wire Side Broom	

STEERING GROUP

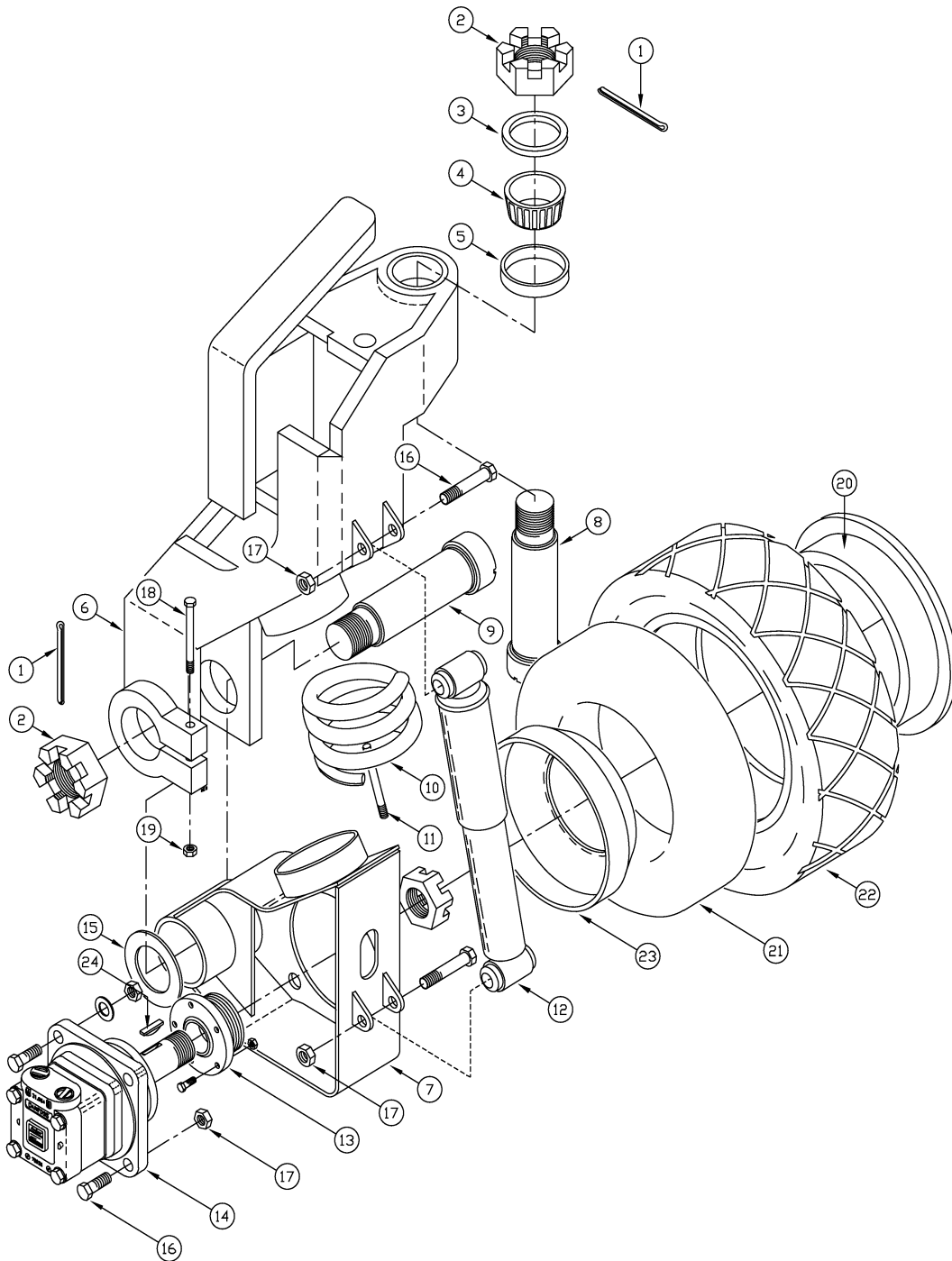


040P1002

STEERING GROUP

REF#	PART #	DESCRIPTION	QUANTITY
1	318220	WHEEL-STEERING SW/9XV	1
2	307263	COLUMN - POWER STEERING	1
3	307262	POWER STEERING UNIT SW/A	1
	400027	SCR - HHM 3/8-16 X 1.25 LG ZP	2
	400028	SCR - HHM 3/8 - 16 X 1.50 LG ZP	2
	400101	WASHER - LOCK 3/8 SPLIT ZP	4
4	307158	ASSY - MOUNT TILT STEERING SW/A	1
	400210	SCR - SHC 3/8 - 16 X 1.50 ZP	2
	400392	NUT - FLANGE LOCK 3/8 - 16	2
5	307163	ASSY - LATCH TILT STEERING SW/A	1
	400039	SCR - HHM 1/4 - 20 X 2.00 LG ZP	1
	400351	SCR - HHM 1/4 - 20 X 2.25 ZP	1
	400376	PIN-CLEVIS 3/8 X 2 7/16 ZP	1
	400087	WASHER - FLAT 3/8 STANDARD ZP	5
	400125	PIN-COTTER 3/8 RUE-RING	1
	400081	NUT - HEX 1/4-20 ES ZP	2
6	300414	BUSHING - PLASTIC MN BROOM	4
7	307815	SPRING - TILT STEERING	1
8	307332	ASSY - STEERING CYL. MOUNT PNTD	1
	400022	SCR - HHM 1/2-13 X 1.25 LG ZP	2
	400098	WASHER - LOCK 1/2 SPLIT ZP	2
	400065	NUT - HEX 1/2 - 13 ZP	2
9	400422	SCREW - HHM 3/4 - 10 X 5.0 LG ZP	2
10	400440	WASHER - FLAT .812 X 2.0 LG ZP	2
	400143	NUT - HEX 3/4 - 10 ZP	2
	309081	BAR - STEERING STOP SPACER	1
11	309080	ASSY - STEERING STOP ARMA PNTD	1
	309089	SPACER - ARMA STEERING STOP	1
12	307311	CYLINDER - STEERING ARMA & POWER	1
	300879	WASHER - HD 3.25 D.D. X 1.00 I.D.	2
	400685	FTG - 6-5C5OLO - S	2
	400435	WASHER - LOCK 3/4 SPLIT ZP	2
13	307351	SPACER - STEERING CYL. PLTD	1

STEERING GROUP (Cont.)



040PI001

STEERING GROUP (Cont.)

REF#	PART #	DESCRIPTION	QUANTITY
1	400122	PIN - COTTER 1/8 X 2.00 ZP	2
2	400223	NUT - HEX SLOTTED 1-20	2
3	307339	SPACER - STEERING FORK SW/A	1
4	300471	BEARING - TAPERED ROLCONE W/SEAL	4
5	300470	BEARING - ROL CUP	4
6	321172	WELD - FORK P-FLEX SW 9X/10X	1
7	321170	WELD - MOTOR MNT P-FLEX SW 9X/10X	1
8	307349	PIN - REAR FORK SW/A	1
9	309790	PIN - KNEE POWERFLEX	1
10	350209	SPRING - POWERFLEX ARMA	1
11	319410	ROD - TENSION POWERFLEX	1
	400086	WASHER - FLAT 1/2 STANDARD	2
	400078	NUT - HEX 1/2 - 13 ES ZP	2
12	321176	SHOCK ABSORBER - POWERFLEX	1
13	321150	HUB - REAR ARMA OMTW SERIES	1
14	321151	MOTOR - DRIVE ARMA DMTW SERIES	1
15	309594	SPACER - POWERFLEX PLTD.	1
16	400495	SCR-HHM 5/8 - 11 X 2.50 ZP	6
17	400486	NUT - HEX 5/8- 11 ES	6
18	400339	SCR-HEX 3/8 - 16 X 2.25 SS	1
19	400079	NUT - HEX 3/8 - 16 ES ZP	1
	400012	FTG - GREASE 3/16	2
	400168	FTG - ADAPTER 1 1/16-12	2
	400681	FTG- 4-6 F5OLO-S STR THRD CONN	1
	400689	FTG - 8-10 F5OLO-S STR THRD CONN	2
	400700	FTG - 4C6LO-S SWVL NUT E1	1
20	307258	INNER RIM - REAR TIRE	1
21	307257	REAR TIRE TUBE	1
22	307256	REAR TIRE - PNEUMATIC	1
23	307259	OUTER RIM - REAR TIRE	1
	400015	SCREW - FHM 7/16-14 X 1.50 LG ZP	5
	400066	NUT - HEX 7/16-14 ZP	5
	400099	WASHER - LOCK 7/16 SPLIT ZP	5
24	302122	KEY - DRIVE MOTOR	1

WARRANTY



Revision G
 Effective September 2010
 PowerBoss Made Simple Industrial Limited Warranty

Minuteman International owner of PowerBoss warrants to the original purchaser/user that the product is free from defects in workmanship and materials under normal use. PowerBoss will, at its option, repair or replace without charge, parts that fail under normal use and service when operated and maintained in accordance with the applicable operation and instruction manuals. All warranty claims must be submitted through and approved by factory authorized repair stations.

This warranty does not apply to normal wear, or to items whose life is dependent on their use and care. Parts not manufactured by PowerBoss are covered by and subject to the warranties and/or guarantees of their manufacturers. Please contact Minuteman International for procedures in warranty claims against these manufacturers.

Special warning to purchaser -- Use of replacement parts not manufactured by PowerBoss or its designated licensees, will void all warranties expressed or implied. A potential health hazard exists without original equipment replacement.

All warranted items become the sole property of Minuteman International or PowerBoss or its original manufacturer, whichever the case may be.

PowerBoss disclaims any implied warranty, including the warranty of merchantability and the warranty of fitness for a particular purpose. PowerBoss assumes no responsibility for any special, incidental or consequential damages.

This limited warranty is applicable only in the U.S.A. and Canada, and is extended only to the original user/purchaser of this product. Customers outside the U.S.A. and Canada should contact their local distributor for export warranty policies. PowerBoss is not responsible for costs or repairs performed by persons other than those specifically authorized by PowerBoss. This warranty does not apply to damage from transportation, alterations by unauthorized persons, misuse or abuse of the equipment, use of non-compatible chemicals, or damage to property, or loss of income due to malfunctions of the product. If a difficulty develops with this machine, you should contact the dealer from whom it was purchased.

This warranty gives you specific legal rights, and you may have other rights, which vary from state to state. Some states do not allow the exclusion or limitation of special, incidental or consequential damages, or limitations on how long an implied warranty lasts, so the above exclusions and limitations may not apply to you.

	Travel*	Labor	Parts	Engine	Extended Warranty	Costs
Walk behinds						
Battery sweepers	Ninety days	One year	One year	N/A	2 years Parts + Labor (or 2000 Hours)	2%
IC sweepers	Ninety days	One year	One year	Through manufacturer	2 years Parts + Labor (or 2000 Hours)	2%
Battery scrubbers	Ninety days	Two years	Three years	N/A	3 Years Parts + Labor (or 3000 Hours)	2%
Riders						
Battery scrubbers	Ninety days	Two years	Three years/2000 hrs	N/A	3 Years Parts + Labor (or 3000 Hours)	2%
IC sweeper/scrubbers	Ninety days	Six months	Two years/2000 hrs	Two years/3000 hrs**	2 years Parts + Labor (or 2000 Hours)	3%
IC sweepers	Ninety days	Six months	Four years/3000 hrs	Five years/3000 hrs**	4 Years Parts + 2 Years Labor (or 4000 Hours)	3%
Exceptions						
Apex series sweeper	Ninety days	One year	One year/1000 hrs	One year/1000 hrs**	2 years Parts + Labor (or 2000 Hours)	3%
6X sweeper	Ninety days	Six months	Two years/2000 hrs	Two years/2000 hours**	2 years Parts + Labor (or 2000 Hours)	3%
Other Products						
QRE-3001A	Ninety days	Six months	Two years/2000 hrs	Two years/3000 hours**	2 years Parts + Labor (or 2000 Hours)	3%

- Tank Bladders Eight years/ no additional labor
- Polyethylene plastic tanks Ten years/ no additional labor
- Batteries 0-3 months full replacement, 4-12 prorated credit
- Chargers One-year replacement
- Replacement parts Ninety days
- *Two-hour cap

**Through engine manufacturer. See section 3 of warranty manual for engine warranty exceptions

*** Based upon dealer's certification status

Extended Warranty MUST be signed up within 30 days of delivery to End User (Dealer has 1Year from Receiving Machine to Sign up extended Warranty)

Extended Warranty Cost is based on Invoice Price multiplied by the Percentage listed in the Extended Warranty Column

All above labor and travel reimbursed at 65 or 75% of the published shop rate.



“The Power of Clean”

**PowerBoss Is A Full Line Manufacturer Of Sweepers and Scrubbers For
Industrial Facilities.**

PowerBoss, Inc 175 Anderson Street P.O. Box 1227- Aberdeen North Carolina 28315

Phone: 800-982-7141 - Fax: 1-800-277-7141 Local: 910-944-2105 Fax: 910-944-7409 e-mail: techsupport@powerboss.com

A Member Of The Hako Group